

INSTALLATION INSTRUCTIONS



VOLT® Low Voltage Landscape Lighting

VOLT® Woodsman Single Source LED Downlight

VAL-1813-40-BBZ

Help Hotline:

1-813-978-3700 • Mon-Fri 8am-8pm • Sat-Sun 10am - 6pm (EST)

Specifications and product details subject to change without notice.
© Copyright 2019, VOLT® Lighting, Lutz FL USA 33549 • All rights reserved.
customersupport@voltlighting.com • 813.978.3700



Important: Please Read Before Installation

This fixture is intended for installation in accordance with local codes and the National Electric Code (NEC). Failure to adhere to these codes and instructions may result in serious injury, property damage and void the warranty.

These instructions do not intend to cover all variations in installation, operation maintenance or mounting situations.

1. Make sure that the power is turned OFF before installing or servicing this fixture.
2. Warning: this fixture is not intended to be installed within 10 feet [3 meters] of a pool, spa or fountain.
3. This fixture is intended to be used only with a power supply (transformer) rated maximum of 300 watts (25 AMPS) at 12 volts.
4. Underground Low Energy Cable must not be buried over 6" (15.2 cm) in order to connect to the main low voltage cable.
5. Wiring connections must be made with wire connectors that are suitable for outdoor use.
6. Position the wire connector so that it is located within 6 inches (15.2 cm) from a building structure, a luminaire, or fitting.

Important Safety Instructions

LIGHTED LAMP IS HOT!

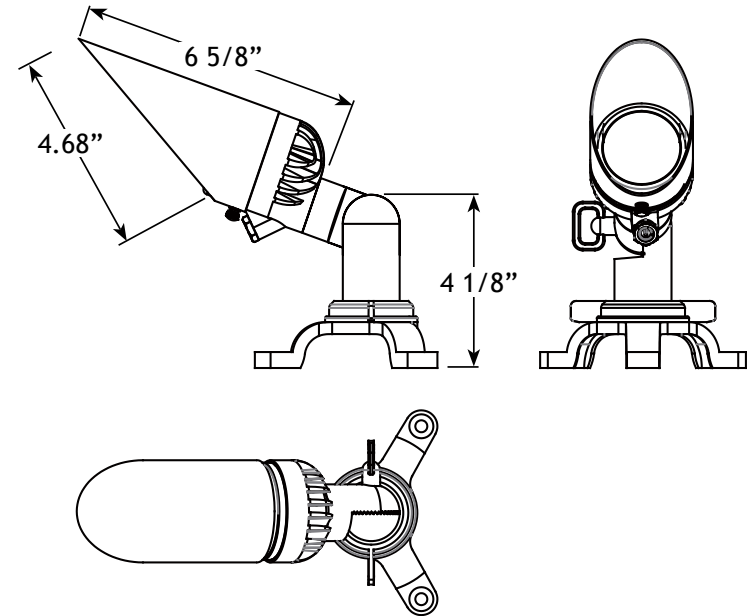
WARNING - TO REDUCE THE RISK OF FIRE OR INJURY TO PERSONS.

1. Turn off/unplug and allow to cool before reducing lamp.
2. Lamp gets HOT quickly!
3. Do not touch the hot lens, guard or cowl.
4. Keep lamp away from materials that may burn.
5. Do not touch lamp at any time.
6. Use a soft cloth.
7. Oil from skin may damage lamp.
8. Do not operate the fixture with a damaged or missing lens or shield.

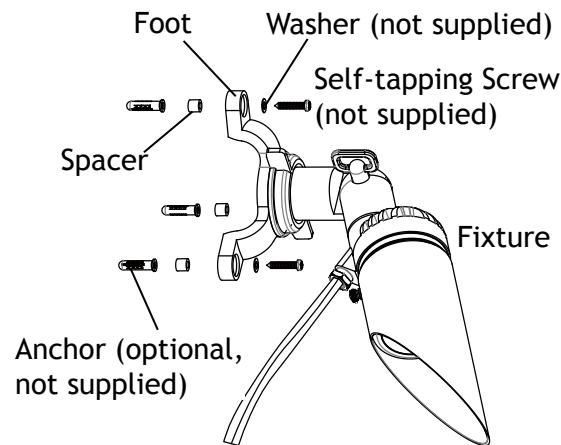
Package Contents

- A. (1) Fixture

Product Dimensions



1 Install Fixture

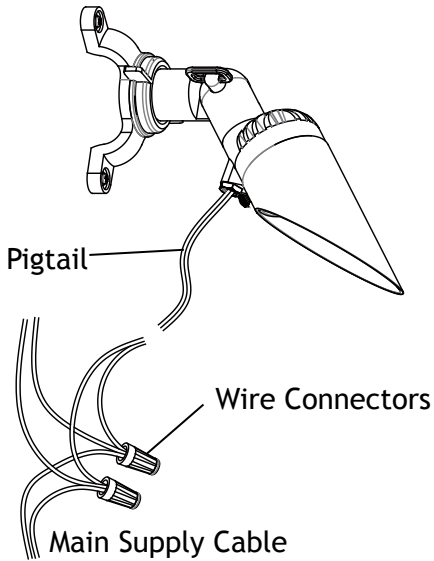


Determine the desired location for the fixture. Place the washers onto the self-tapping screws. Pass the self-tapping screws through the holes of the feet of fixture and spacers. Thread the self-tapping screws into the desired location to secure the fixture.

NOTE: Anchors are required for brick walls or concrete walls. To determine the locations for the anchors place the feet of the fixture onto your desired location and mark points from the holes of the feet.

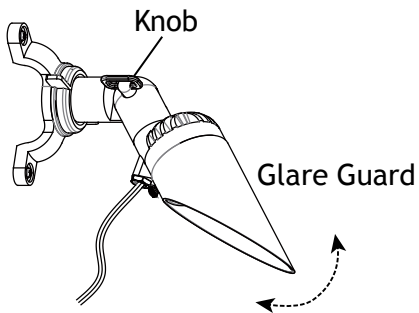


2 Wire Connections



Strip both leads from the luminaire pigtail. Using two wire connectors (sold separately), connect the leads from the luminaire to the main supply cable leads.

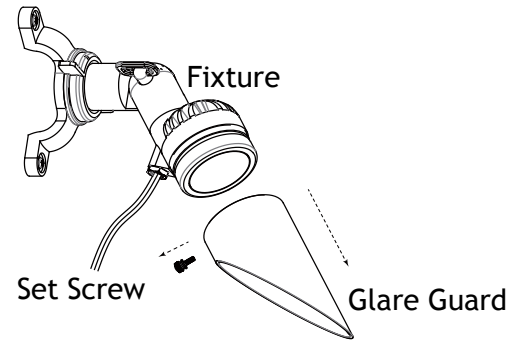
3 Adjust Glare Guard Direction



Unlock the knob and rotate the glare guard to your desired direction. Hand tighten the knob once your desired direction is achieved.

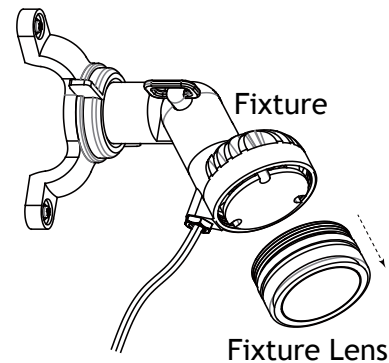
Install / Replace Optic

4 Remove Glare Guard



Loosen the set screw and remove the glare guard from the fixture.

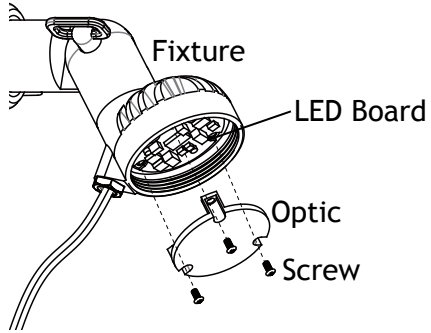
5 Remove Fixture Lens



Loosen the fixture lens and remove it from the fixture.



6 Replace Optic



Loosen the screws, and remove the optic from the fixture.

Install the new optic in the fixture and reverse Step 6 - Step 4. Confirm the optic is properly aligned over the LED board before tightening down. Improper alignment when tightening the screws can cause the optic to break.



Help Hotline:

1-813-978-3700 • Mon-Fri 8am-8pm • Sat-Sun 10am - 6pm (EST)

www.voltlighting.com

Specifications and product details subject to change without notice.
© Copyright 2019, VOLT® Lighting, Lutz FL USA 33549 • All rights reserved.
customersupport@voltlighting.com • 813.978.3700

IS-VAL-1813-40-BBZ-ver1.pdf