

INSTALLATION INSTRUCTIONS



VOLT® Low Voltage Landscape Lighting

VOLT® Guardsman Post Top Light

VPL-1011-4-BBZ

Help Hotline:

1-813-978-3700 • Mon-Fri 8am-8pm • Sat-Sun 10am - 6pm (EST)

Specifications and product details subject to change without notice.
© Copyright 2019, VOLT® Lighting, Lutz FL USA 33549 • All rights reserved.
customersupport@voltlighting.com • 813.978.3700



! Important: Please Read Before Installation

This fixture is intended for installation in accordance with local codes and the National Electric Code (NEC). Failure to adhere to these codes and instructions may result in serious injury, property damage and void the warranty.

These instructions do not intend to cover all variations in installation, operation maintenance or mounting situations.

1. Make sure that the power is turned OFF before installing or servicing this fixture.
2. Warning: this fixture is not intended to be installed within 10 feet [3 meters] of a pool, spa or fountain.
3. This fixture is intended to be used only with a power supply (transformer) rated maximum of 50 watts (25 AMPS) at 12 volts.
4. Underground Low Energy Cable must not be buried over 6" (15.2 cm) in order to connect to the main low voltage cable.
5. Wiring connections must be made with UL listed wire connectors that are suitable for outdoor use.
6. Position the wire connector so that it is located within 6 inches (15.2 cm) from a building structure, a luminaire, or fitting.

! Important Safety Instructions

LIGHTED LAMP IS HOT!

WARNING - TO REDUCE THE RISK OF FIRE OR INJURY TO PERSONS.

1. Turn off/unplug and allow to cool before reducing lamp.
2. Lamp gets HOT quickly!
3. Do not touch the hot lens, guard or cowl.
4. Keep lamp away from materials that may burn.
5. Do not touch lamp at any time.
6. Use a soft cloth.
7. Oil from skin may damage lamp.
8. Do not operate the fixture with a damaged or missing lens or shield.

Package Contents

A. (1) Fixture Body

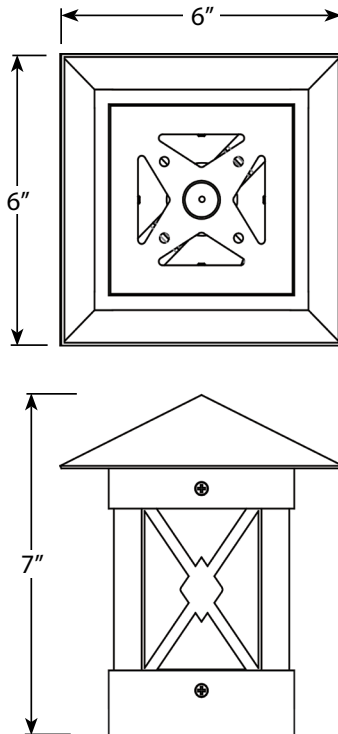
Optional Parts (sold separately)

A. (1) Stake

B. (1) Extension Riser

C. (4) Self-tapping Screws

Product Dimensions

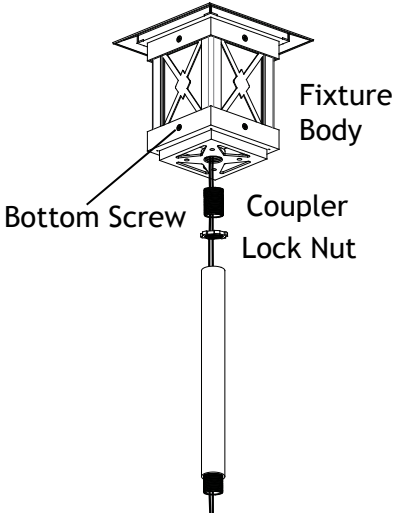


This fixture can be mounted to **4x4 wooden post or stake**. Please refer to the respective installation instruction steps per below.



OPTION A: MOUNT TO STAKE

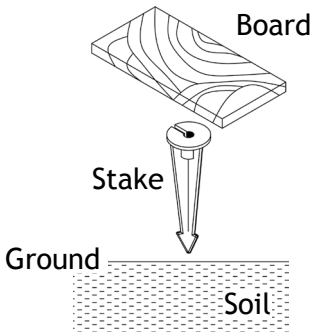
1 Install Extension Riser on Fixture



Using a screwdriver, remove the bottom 4 screws from the fixture body. Pull the lead wire into the center of the fixture through the side wire exit and then place it through the center hole going back out. Attach the bottom back onto the fixture body and secure with the previously removed screws.

Thread a coupler and lock nut to the bottom of the fixture body. Then attach the extension riser, running the wire through all pieces.

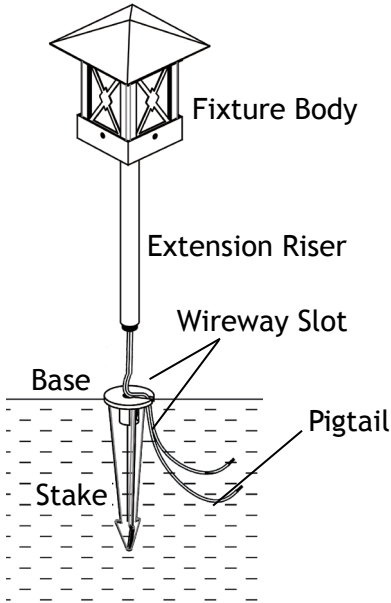
2 Install Stake



Determine the desired location for mounting the fixture. Hammer the stake into the ground until flange of stake is flush to grade. To avoid damage to the stake, place a board on top of the stake while hammering.

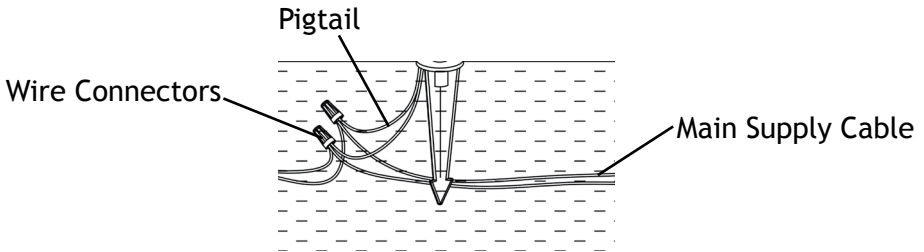
NOTE: If the ground is hard and the stake is difficult to install, make a crosscut in the ground using a flat shovel.

3 Install Fixture Body to Stake



Clear away an area in the ground at the wireway slot on top of the stake. Lay the luminaire pigtail into the wireway slot. Then, thread the bottom end of the extension riser with the fixture body onto the stake. Tighten to secure the base.

4 Wire Connection

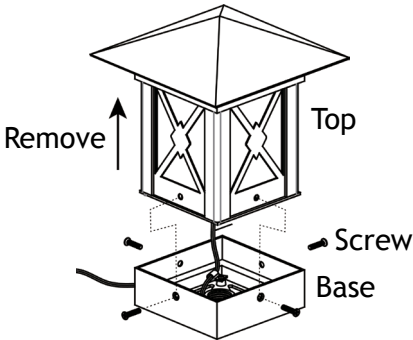


Strip both leads from the luminaire pigtail. Using two wire connectors (sold separately), connect the leads from the luminaire to the main supply cable leads.



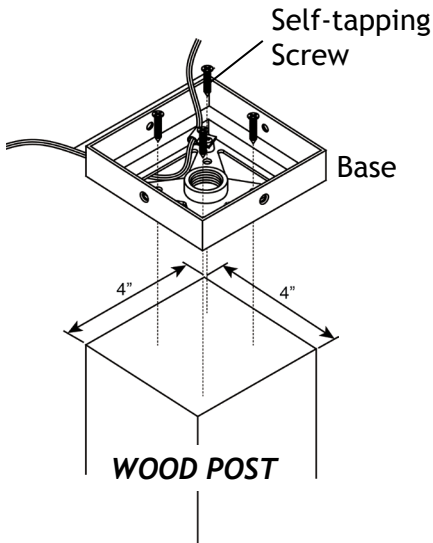
OPTION B: MOUNT TO A 4X4 Post

1 Remove Top from Base



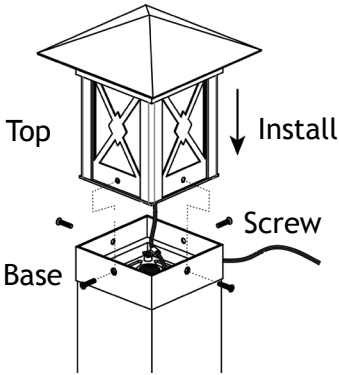
Using a screwdriver, unscREW the screws on the side of the base and remove the top from the base.

2 Install Base to 4x4



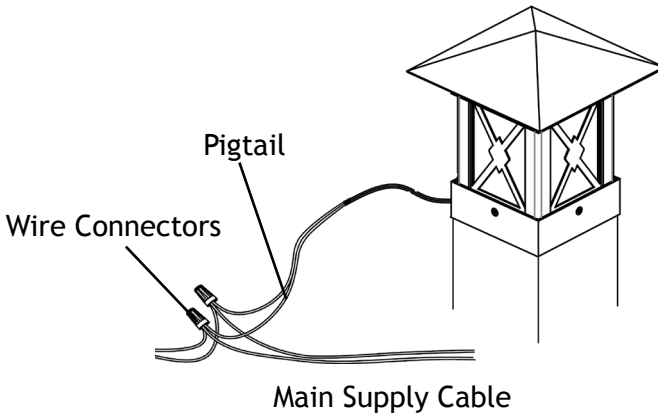
Attach the base onto a 4" x 4" square wood post and secure with the self-tapping screws. Hand tighten with a screwdriver.

3 Install Top to Base



Attach the top back onto the base and secure with the screws previously removed. Hand tighten with a screwdriver.

4 Wire Connection



Strip both leads from the luminaire pigtail. Using two wire connectors (sold separately), connect the leads from the luminaire to the main supply cable leads.



www.voltlighting.com

Specifications and product details subject to change without notice.

© Copyright 2019, VOLT® Lighting, Lutz FL USA 33549 • All rights reserved. customersupport@voltlighting.com • 813.978.3700