

INSTALLATION INSTRUCTIONS



VOLT® Low Voltage Landscape Lighting
VOLT® Scroll or Leaf Tower Bollard Light
VPL-1017 and VPL-1018

Help Hotline:

1-813-978-3700 • Mon-Fri 8am-8pm • Sat-Sun 10am - 6pm (EST)

Specifications and product details subject to change without notice.
© Copyright 2019, VOLT® Lighting, Lutz FL USA 33549 • All rights reserved.
customersupport@voltlighting.com • 813.978.3700



Important: Please Read Before Installation

This fixture is intended for installation in accordance with local codes and the National Electric Code (NEC). Failure to adhere to these codes and instructions may result in serious injury, property damage and void the warranty.

These instructions do not intend to cover all variations in installation, operation maintenance or mounting situations.

1. Make sure that the power is turned OFF before installing or servicing this fixture.
2. Warning: this fixture is not intended to be installed within 10 feet [3 meters] of a pool, spa or fountain.
3. This fixture is intended to be used only with a power supply (transformer) rated maximum of 50 watts (25 AMPS) at 12 volts.
4. Underground Low Energy Cable must not be buried over 6" (15.2 cm) in order to connect to the main low voltage cable.
5. Wiring connections must be made with wire connectors that are suitable for outdoor use.
6. Position the wire connector so that it is located within 6 inches (15.2 cm) from a building structure, a luminaire, or fitting.

Important Safety Instructions

LIGHTED LAMP IS HOT!

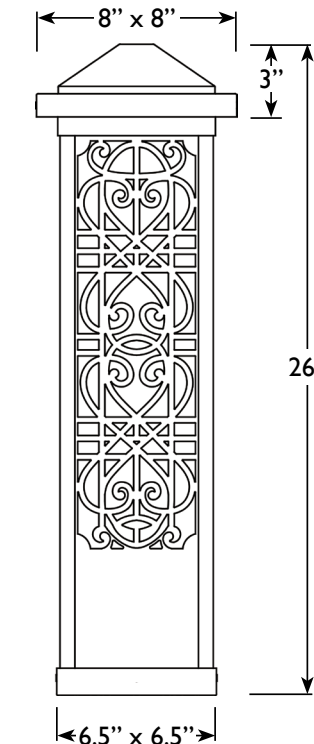
WARNING - TO REDUCE THE RISK OF FIRE OR INJURY TO PERSONS.

1. Turn off/unplug and allow to cool before reducing lamp.
2. Lamp gets HOT quickly!
3. Do not touch the hot lens, guard or cowl.
4. Keep lamp away from materials that may burn.
5. Do not touch lamp at any time.
6. Use a soft cloth.
7. Oil from skin may damage lamp.
8. Do not operate the fixture with a damaged or missing lens or shield.

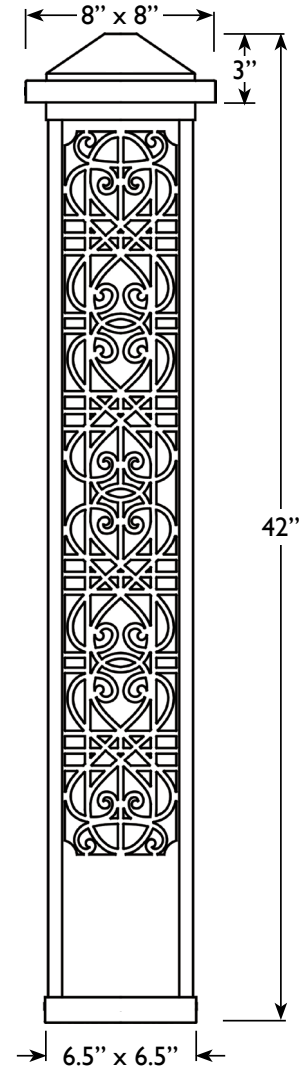
Package Contents

- A. (1) Fixture
- B. (2) Stakes
- C. (2) Threaded Couplers (attaches stake and fixture)

Product Dimensions



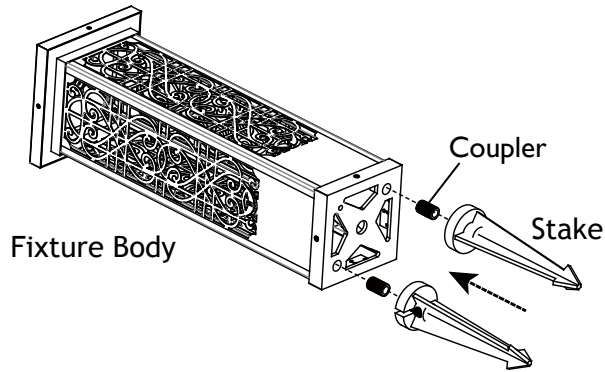
VPL1017-26 Pictured



VPL1017-42 Pictured

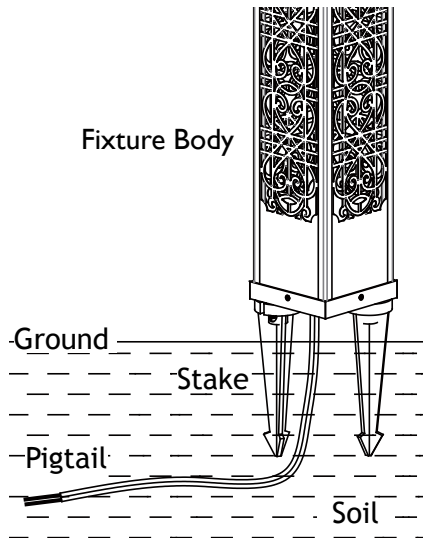


1 Install Stakes to Fixture



Lay down the fixture body on a flat surface. Screw the couplers into the mounting holes on the bottom of the fixture body then thread the stakes onto the couplers. Hand tighten to secure the stakes onto the fixture body.

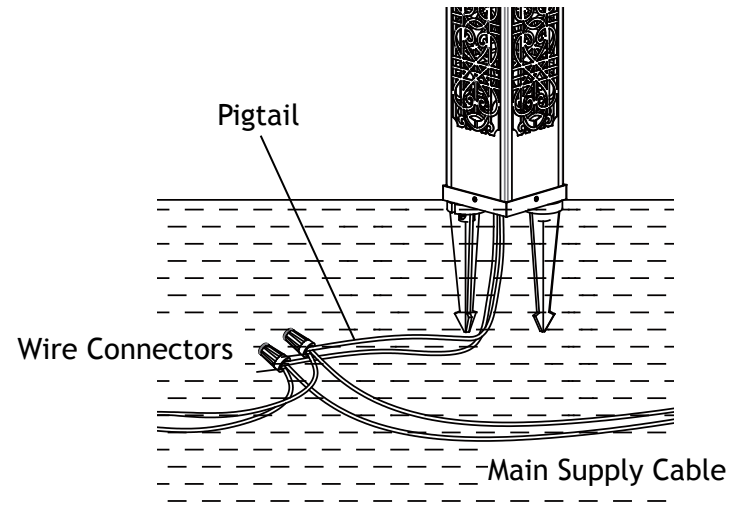
2 Install Stakes to Ground



Determine the desired location for the fixture. Clear away an area in the ground and lay the luminaire pigtail into the wireway slot. Insert stakes into the ground until flange of stakes are flush to grade.

NOTE: If the ground is hard and stakes are difficult to install, make a crosscut in the ground using a flat shovel.

3 Wire Connection



Strip both leads from the luminaire pigtail. Using two wire connectors (not provided), connect the leads from the fixture body to the main supply cable leads.





Help Hotline:

1-813-978-3700 • Mon-Fri 8am-8pm • Sat-Sun 10am - 6pm (EST)

www.voltlighting.com

Specifications and product details subject to change without notice.

© Copyright 2019, VOLT® Lighting, Lutz FL USA 33549 • All rights reserved. customersupport@voltlighting.com • 813.978.3700