

# INSTALLATION INSTRUCTIONS



VOLT® Solar Landscape Lighting

VOLT® Solar Spotlight

VSAL-9002-BBZ

**Help Hotline:**

**1-813-978-3700 • Mon-Fri 8am-8pm • Sat-Sun 10am - 6pm (EST)**

Specifications and product details subject to change without notice.  
© Copyright 2019, VOLT® Lighting, Lutz FL USA 33549 • All rights reserved.  
[customersupport@voltlighting.com](mailto:customersupport@voltlighting.com) • 813.978.3700



**! Important: Please Read Before Installation**

This luminaire is intended for installation in accordance with local codes and the National Electric Code (NEC). Failure to adhere to these codes and instructions may result in serious injury, property damage and void the warranty.

These instructions do not intend to cover all variations in installation, operation maintenance or mounting situations.

**! Important Safety Instructions**

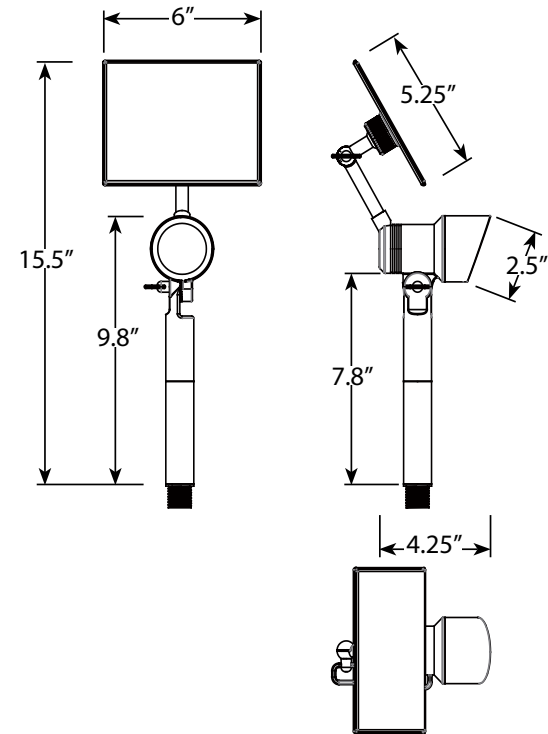
**INSTRUCTIONS PERTAINING TO A RISK OF FIRE, OR INJURY TO PERSONS**  
**Lighted lamp is HOT!**

WARNING - To reduce the risk of FIRE OR INJURY TO PERSONS.

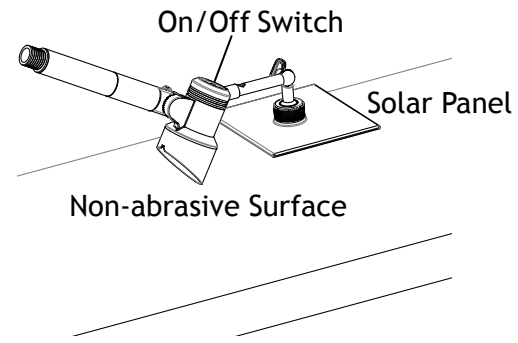
1. Lamp gets HOT quickly!
2. Do not touch the hot lens, guard or enclosure.
3. Keep lamp away from materials that may burn.
4. Do not touch lamp at any time. Use a soft cloth. Oil from skin may damage lamp.
5. Do not operate the luminaire fitting with a missing or damaged shield.

SAVE THESE INSTRUCTIONS

**Product Dimensions**



**1 Test Solar Light**



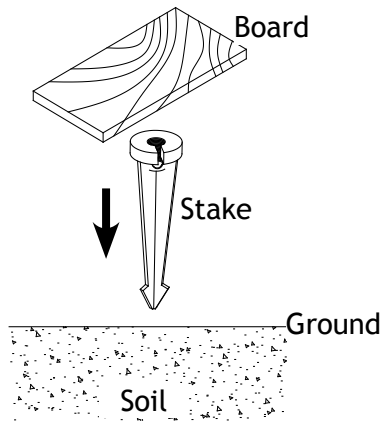
Press the ON/OFF switch on the back of the fixture body. Place the solar light on a non-abrasive surface with the solar panel against the surface to test the fixture.

The fixture will light up when the solar panel is covered and turn back off when it is uncovered.

Now you can proceed to next steps of installations knowing the fixture is in ON mode.



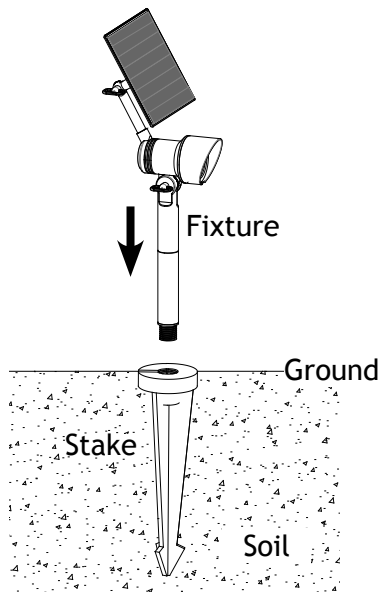
**2 Install Stake**



Determine the location for mounting the stake. Hammer the stake into the ground until flange of stake is flush to grade. To avoid damage to the stake, place a board on top of the stake while hammering.

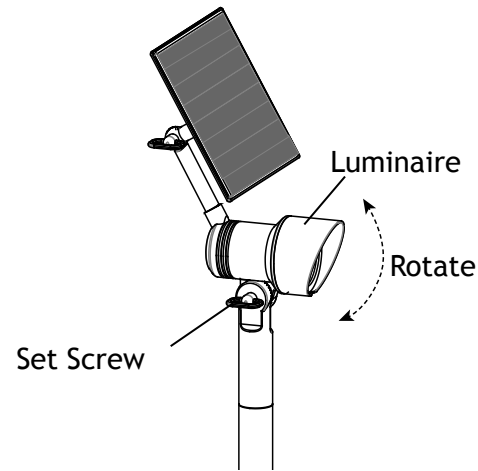
Note: If the ground is hard and the stake is difficult to install, make a crosscut in the ground using a flat shovel.

**3 Install Fixture to Stake**



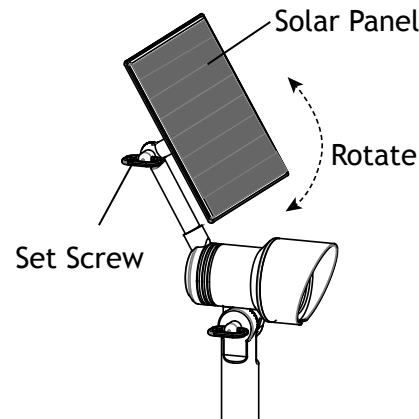
Thread the fixture on to the stake. Hand tighten until snug. Use the lock nut to aim it in the direction you desire.

**4 Adjust Luminaire Direction**



Loosen the set screw on the fixture, then rotate to the desired direction. Tighten the set screw once the desired direction is achieved.

**5 Adjust Solar Panels Direction**



Loosen the other set screw on the panel to rotate the solar panel to the desired direction. Tighten the set screw once the desired direction is achieved.

**! IMPORTANT INFORMATION**

Please note that these solar fixtures are equipped with built-in photocells, so they will not turn on until it is dark enough. These fixtures will also require plenty of sunlight to function properly. It's best to have the fixture in an area where the sun will get to it at all times throughout the day and where no ambient lighting will affect the photocell at night. If your fixture is not functioning at night, be sure that the on/off button has been engaged. See step one for details.



**Help Hotline:**

**1-813-978-3700 • Mon-Fri 8am-8pm • Sat-Sun 10am - 6pm (EST)**

[www.voltlighting.com](http://www.voltlighting.com)

Specifications and product details subject to change without notice.  
© Copyright 2019, VOLT® Lighting, Lutz FL USA 33549 • All rights reserved.  
[customersupport@voltlighting.com](mailto:customersupport@voltlighting.com) • 813.978.3700