



VOLT® Outdoor Lighting

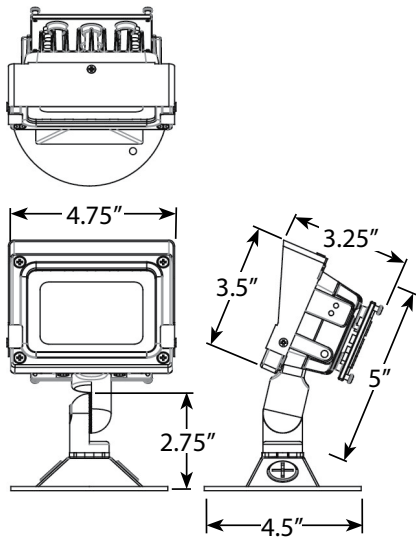
120V LED Flood Lights - VFL-4000-LI-ABZ

Product Description

Introducing VOLT's new line of 120 volt LED flood lights; Made from die-cast aluminum with stainless steel screws, each of the high powered flood lights features an integrated LED with a very wide 120° beam angle. Fully adjustable locking knuckle so you can always get the angle you need and keep it there. The tempered glass lens is fully gasketed in order to provide a tight fit against moisture. With these new tightly placed LED chips you get a similar shadow effect to that of a single chip in that you will have a much more crisp and clear shadowing effect than if you had multiple chips spread out across the fixture face.



Dimensions



Features & Benefits

- ▶ Powder coated, die cast aluminum design with stainless steel hardware create a durable design.
- ▶ Multiple mounting options.
- ▶ Tempered glass lens is fully gasketed, to provide a tight fit against moisture.
- ▶ Instant illumination and restrike.

Specifications

- ▶ **Construction:** Die-cast aluminum housing with stainless steel screws
- ▶ **Finish:** Bronze
- ▶ **Mounting:** Knuckle Mount
- ▶ **Light Source:** Integrated LED
- ▶ **Beam Angle:** 120°
- ▶ **Operating Voltage:** 120VAC
- ▶ **Color Temperature:** 4000K
- ▶ **Lifetime:** 40,000 hours
- ▶ **Lumens:** 1,000 lm
- ▶ **Watts:** 10W

Warranty

5 Year Warranty

Certifications



File #E469847