

INSTALLATION INSTRUCTIONS



VOLT® Low Voltage Landscape Lighting

VOLT® The Rotunda 120V Bollard

VPL-1040-L-BBZ

Help Hotline:

1-813-978-3700 • Mon-Fri 8am-8pm • Sat-Sun 10am - 6pm (EST)

Specifications and product details subject to change without notice.
© Copyright 2018, VOLT® Lighting, Lutz FL USA 33549 • All rights reserved.
customersupport@voltlighting.com • 813.978.3700



Important: Please Read Before Installation

To avoid the risk of fire, explosion, or electric shock, this product should be installed, inspected, and maintained by a qualified electrician only, in accordance with all applicable electrical codes.

To avoid electric shock:

1. Be certain electrical power is OFF before and during installation and maintenance.
2. Luminaire must be connected to a wiring system with an equipment-grounding conductor.

To avoid explosion:

1. Make sure the supply voltage is the same as the rated luminaire voltage.
2. Do not install where the marked operating temperatures exceed the ignition temperature of the hazardous atmosphere.
3. Do not operate in ambient temperatures above those indicated on the luminaire.

For supply connections use wire rated for at least 90°C (194°F)

Warning: these luminaire should ONLY be installed by a qualified electrician.

Important Safety Instructions

LIGHTED LAMP IS HOT!

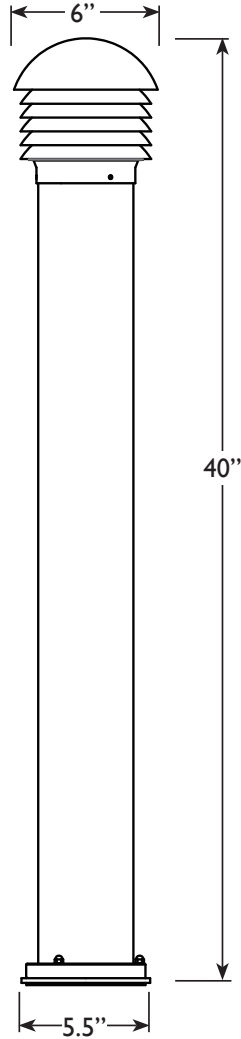
WARNING - TO REDUCE THE RISK OF FIRE OR INJURY TO PERSONS.

1. Turn off/unplug and allow to cool before reducing lamp.
2. Lamp gets HOT quickly!
3. Do not touch the hot lens, guard or cowl.
4. Keep lamp away from materials that may burn.
5. Do not touch lamp at any time.
6. Use a soft cloth.
7. Oil from skin may damage lamp.
8. Do not operate the fixture with a damaged or missing lens or shield.

Package Contents

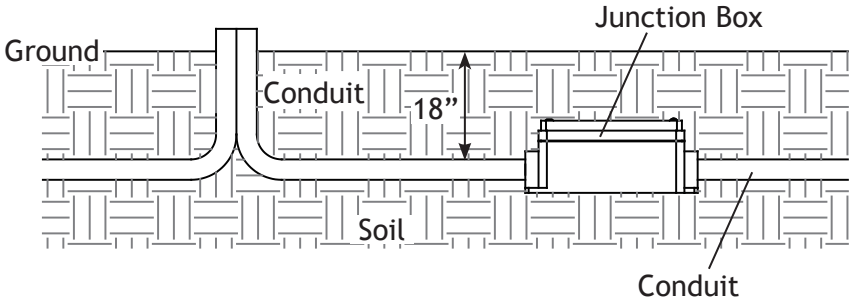
- A. (1) Fixture Body
- B. (1) Mounting Plate
- C. (3) Anchor Bolts
- D. (3) Cap Nuts

Product Dimensions



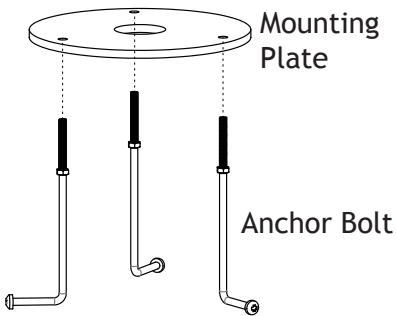


1 Lay Conduit and Junction Box



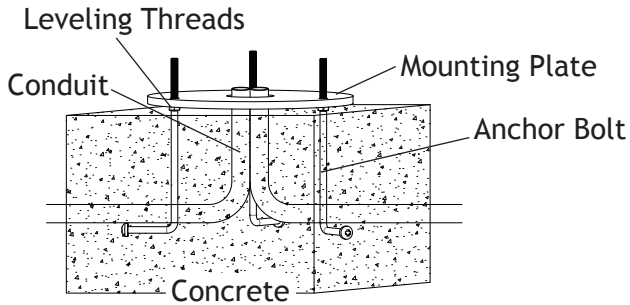
Dig a hole in the ground and lay the conduit and junction box in your desired location.

2 Install Anchor Bolts to Mounting Plate



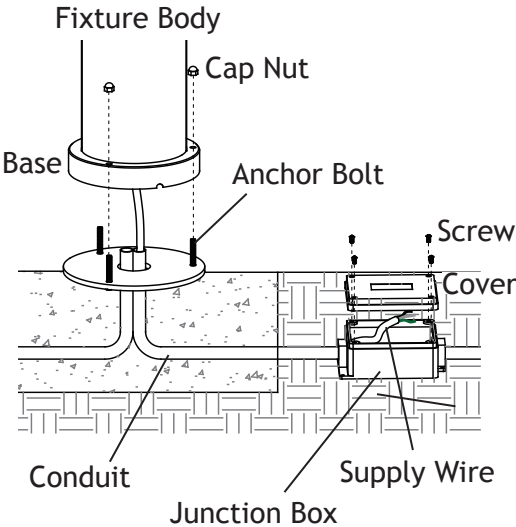
Thread anchor bolts onto mounting plates until they become flush to the plate. Adjust if leveling is needed.

3 Install Anchor Bolts to Concrete



CAUTION: Install according to all applicable local codes. Make sure the conduits are centered on the bottom of the plate. Install the anchor bolts in the concrete foundation making sure the leveling nuts and base remain on top of the concrete. Level the base by adjusting the leveling threads on the underside of the plate.

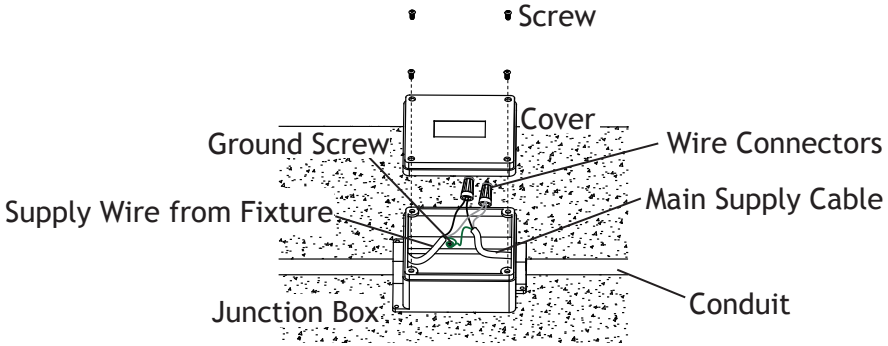
4 Install Fixture Body to Anchor Bolts



Remove the cover from the junction box by loosening the screws. Pass the fixture supply wires through the conduit to the junction box. Place the base and fixture over the anchor bolts. Then, put the washers and lock washers over the anchor bolts. Secure by threading the cap nuts onto the anchor bolts. Hand tighten until snug.

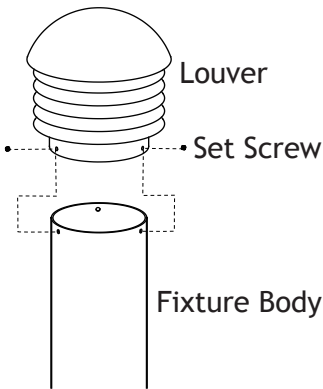


5 Wire Connection



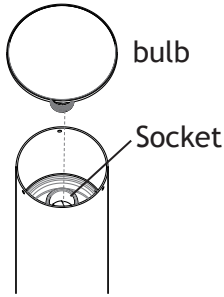
Feed the main supply cable into the junction box. Strip the leads on the fixture supply wire and the main supply cable. Using wire connectors, (sold separately) connect the leads from the fixture supply wire to the main supply cable leads and connect the grounding wires to the ground screw in the junction box. After wiring, carefully tuck slack wires into the junction box. Attach the cover onto the junction box and secure with the previously removed screws. Bury the conduits and the junction box with the previously removed dirt.

6 Remove Louver



Loosen the set screws from the top of the fixture and remove the louver.

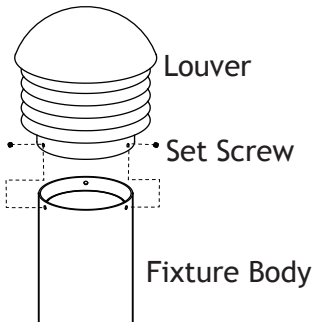
7 Install Lamp



Insert the bulb with the correct wattage and type marked on the fixture label and tighten into place.

CAUTION: Do not exceed maximum wattage marked on luminaire label.

8 Install Louver



Place the louver back onto the fixture and secure with previously removed set screws.

Install/Replace Bulb

Remove the louver to expose the lamp, then replace it with the correct wattage and type marked on the fixture label. Then reinstall the louver.

IMPORTANT: Bulbs must be protected from moisture and dust at all times. Always reinstall louver when removed.



Help Hotline:

1-813-978-3700 • Mon-Fri 8am-8pm • Sat-Sun 10am - 6pm (EST)

www.voltlighting.com

Specifications and product details subject to change without notice.
© Copyright 2018, VOLT® Lighting, Lutz FL USA 33549 • All rights reserved.
customersupport@voltlighting.com • 813.978.3700

IS-VPL-1040-L-BBZ-ver5.pdf