

INSTALLATION INSTRUCTIONS



VOLT® Low Voltage Landscape Lighting
VOLT® China Hat 7” Mini Path & Area Light
320-Mini Series

Help Hotline:

1-813-978-3700 • Mon-Fri 8am-8pm • Sat-Sun 10am - 6pm (EST)

Specifications and product details subject to change without notice.
© Copyright 2018, VOLT® Lighting, Lutz FL USA 33549 • All rights reserved.
customersupport@voltlighting.com • 813.978.3700



! Important: Please Read Before Installation

This luminaire is intended for installation in accordance with local codes and the National Electric Code (NEC). Failure to adhere to these codes and instructions may result in serious injury, property damage and void the warranty.

These instructions do not intend to cover all variations in installation, operation maintenance or mounting situations.

1. Make sure that the power is turned OFF before installing or servicing this luminaire.
2. **WARNING:** risk of electrical shock. Install all luminaires 10 feet (3.05M) or more from pool, spa or fountain.
3. This luminaire is intended to be used only with a power supply (transformer) rated maximum of 300 watts (25 AMPS) at 15 volts.
4. Wiring connections must be made with wire connectors that are suitable for outdoor use.
5. Position the low voltage wire and wire connector so that it is located within 6 inches (15.2 cm) from a building structure, a luminaire or fitting.
6. The main low voltage cable is intended for shallow burial - less than 6 inches (152 mm).
7. If additional lengths of low voltage cable are required, please contact www.voltlighting.com or call 1-813-978-3700.

! IMPORTANT SAFETY INSTRUCTIONS

INSTRUCTIONS PERTAINING TO A RISK OF FIRE, OR INJURY TO PERSONS
Lighted lamp is HOT!

WARNING - To reduce the risk of FIRE OR INJURY TO PERSONS.

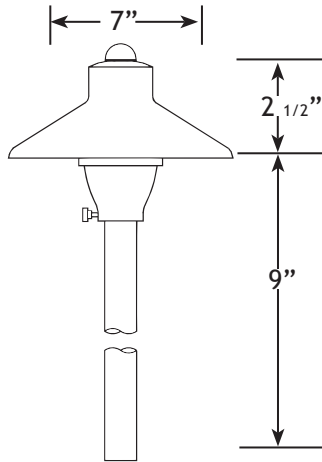
1. Turn off/unplug and allow to cool before replacing lamp.
2. Lamp gets HOT quickly! Contact only switch/plug when turning on.
3. Do not touch the hot lens, guard or enclosure.
4. Keep lamp away from materials that may burn.
5. Do not touch lamp at any time. Use a soft cloth. Oil from skin may damage lamp.
6. Do not operate the luminaire fitting with a missing or damaged shield.

SAVE THESE INSTRUCTIONS

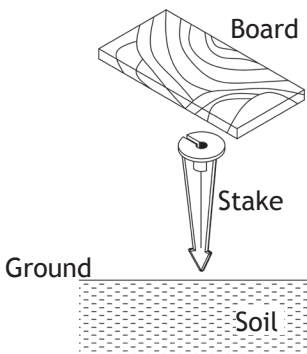
Package Contents

- A. (1) Finial
- B. (1) Waterproof Washer
- C. (1) Shade
- D. (1) Inner Shield
- E. (1) Harp
- F. (1) Stake
- G. (1) Rod with Socket

Product Dimensions



1 Install Stake

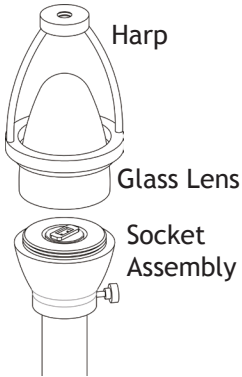


Determine the desired location for mounting the luminaire. Hammer the stake into the ground until flange of stake is flush to grade. To avoid damage to the stake, place a board on top of it while hammering.

NOTE: If the ground is hard and the stake is difficult to install, make a crosscut in the ground using a flat shovel.

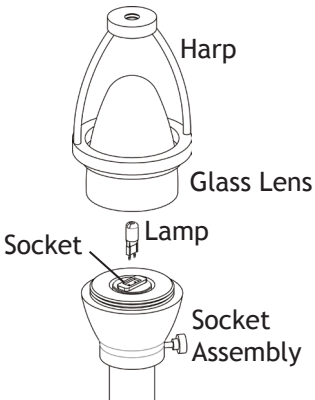


2 Remove Harp and Glass Lens



Unscrew the harp from the socket assembly, then remove the glass lens from the socket assembly.

3 Install Lamp



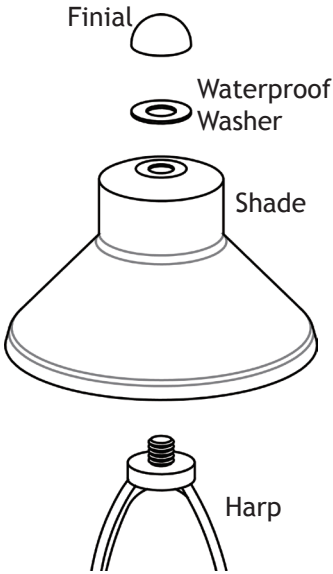
Insert the lamp with the correct wattage and type marked on the luminaire label.

CAUTION: Do not exceed maximum wattage marked on luminaire label.

NOTE: DO NOT touch lamp with bare hands. Use soft cloth to handle lamp.

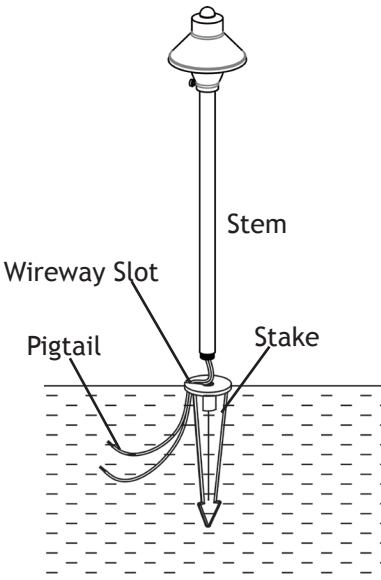
Place the glass lens back onto the socket assembly and screw the harp on.

4 Install Shade



Place the shade and waterproof washer on top of the harp and secure them with the finial. Hand tighten until snug.

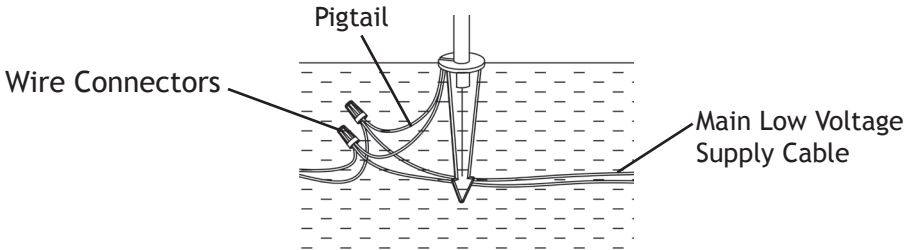
5 Install Luminaire to Stake



Clear away an area in the ground at the wireway slot on top of the stake. Lay the luminaire pigtail into the wireway slot and screw the stem onto the stake. If the assembly does not look straight, adjust by pushing or pulling on the stake only. Use a bubble level against the side of the stem to make sure the stem is perpendicular to the ground.



6 Wire Connections



Strip both leads from the luminaire pigtail. Using two wire connectors (sold separately), connect the leads from the luminaire to the main low voltage supply cable leads.

Maintenance - Install/Replace Lamp

Reverse Step 2 - Step 4 to expose the lamp and replace it with the correct wattage and type marked on the luminaire label. Reinstall the inner shield and shade.

IMPORTANT: Halogen lamps must be protected from moisture and dust at all times. Always reinstall shade and lens when removed.

www.voltlighting.com

Specifications and product details subject to change without notice.

© Copyright 2018, VOLT® Lighting, Lutz, FL USA 33549 • All rights reserved
customersupport@voltlighting.com • 813.978.3700



Help Hotline:

1-813-978-3700 • Mon-Fri 8am-8pm • Sat-Sun 10am - 6pm (EST)

Specifications and product details subject to change without notice.

© Copyright 2018, VOLT® Lighting, Lutz, FL USA 33549 • All rights reserved
customersupport@voltlighting.com • 813.978.3700

is-320-mini-ver1.pdf