

INSTALLATION INSTRUCTIONS



VOLT® Low Voltage Landscape Lighting
VOLT® Max Spread Mini Path & Area Light
VPL-330-MINI Series

Help Hotline:

1-813-978-3700 • Mon-Fri 8am-8pm • Sat-Sun 10am - 6pm (EST)

Specifications and product details subject to change without notice.
© Copyright 2017, VOLT® Lighting, Lutz FL USA 33549 • All rights reserved.
customersupport@voltlighting.com • 813.978.3700



! Important: Please Read Before Installation

This luminaire is intended for installation in accordance with local codes and the National Electric Code (NEC). Failure to adhere to these codes and instructions may result in serious injury, property damage and void the warranty.

These instructions do not intend to cover all variations in installation, operation maintenance or mounting situation.

1. Make sure that the power is turned OFF before installing or servicing this luminaire.
2. **WARNING:** risk of electrical shock. Install all luminaires 10 feet (3.05M) or more from pool, spa or fountain.
3. This luminaire is intended to be used only with a power supply (transformer) rated maximum of 300 watts (25 AMPS) at 15 volts.
4. Wiring connections must be made with wire connectors that is suitable for outdoor use.
5. Position the low voltage wire and wire connector so that it is located within 6 inches (15.2 cm) from a building structure, a luminaire or fitting.
6. The main low voltage cable is intended for shallow burial - less than 6 inches (152 mm)
7. If additional lengths of low voltage cable is required, please contact www.voltlighting.com or call 1-813-978-3700.

! IMPORTANT SAFETY INSTRUCTIONS

INSTRUCTIONS PERTAINING TO A RISK OF FIRE, OR INJURY TO PERSONS
Lighted lamp is HOT!

WARNING - To reduce the risk of FIRE OR INJURY TO PERSONS.

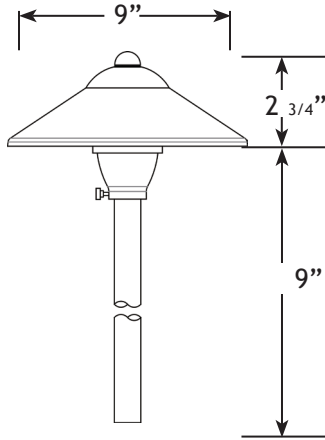
1. Turn off/unplug and allow to cool before replacing lamp.
2. Lamp gets **HOT** quickly! Contact only switch/plug when turning on.
3. Do not touch the hot lens, guard or enclosure.
4. Keep lamp away from materials that may burn.
5. Do not touch lamp at any time. Use a soft cloth. Oil from skin may damage lamp.
6. Do not operate the luminaire fitting with a missing or damage shield.

SAVE THESE INSTRUCTIONS

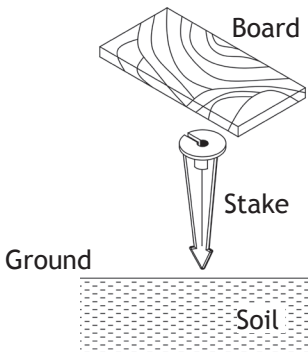
Package Contents

- A. (1) Finial
- B. (1) Waterproof Washer
- C. (1) Shade
- D. (1) Inner Shield
- E. (1) Harp
- F. (1) Stake
- G. (1) Stem with Socket

Product Dimensions



1 Install Stake

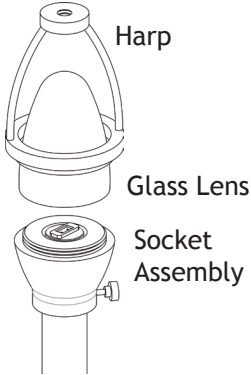


Determine desired location for mounting luminaire. Hammer stake into ground until flange of stake is flush to grade. To avoid damage to stake, place a board on top of stake while hammering.

NOTE: If ground is hard and stake is difficult to install, make a crosscut in ground using a flat shovel.

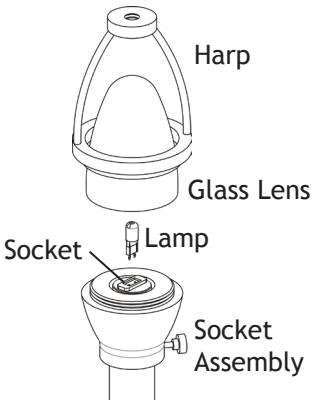


2 Remove Harp and Glass Lens



Screw harp off socket assembly. Remove harp and glass lens from socket assembly.

3 Install Lamp



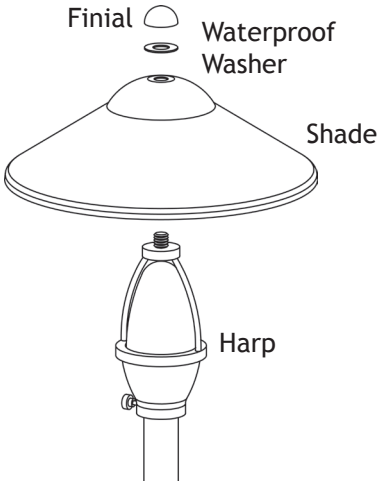
Insert lamp with correct wattage and type marked on luminaire label.

CAUTION: Do not exceed maximum wattage marked on luminaire label.

NOTE: DO NOT touch lamp with bare hands. Use soft cloth to handle lamp.

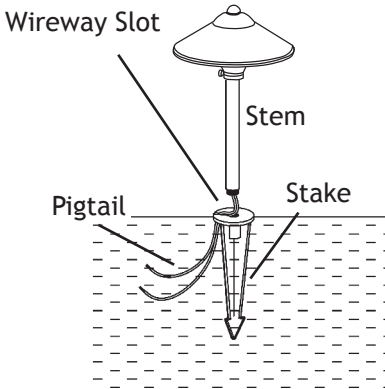
Place glass lens back onto socket assembly and screw harp on.

4 Install Shade



Place shade and waterproof washer on top end of harp and secure with finial. Hand tighten until snug.

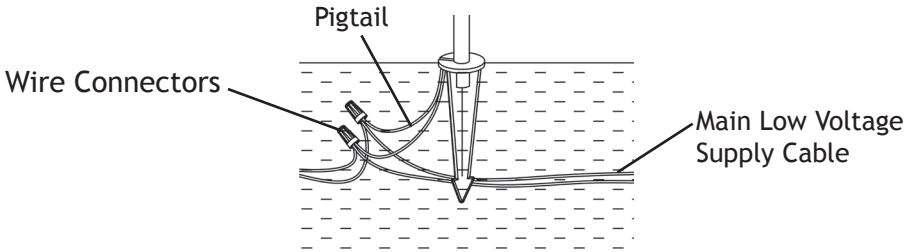
5 Install Luminaire to Stake



Clear away area in ground at wireway slot in top of stake. Lay luminaire pigtail into wireway slot and screw stem into stake. If assembly does not look straight, adjust by pushing or pulling on stake only. Use bubble level against side of stem to make sure stem is perpendicular to ground.



6 Wire Connections



Strip both leads from luminaire pigtail. Using two wire connectors (sold separately), connect leads from luminaire to main low voltage supply cable leads.

Maintenance - Install/Replace Lamp

Please reverse Step 2 - Step 4 to expose the lamp and replace it with correct wattage and type marked on luminaire label. Reinstall inner shield and shade.

IMPORTANT: Halogen lamps must be protected from moisture and dust at all times. Always reinstall shade and lens when moved.



Help Hotline:

1-813-978-3700 • Mon-Fri 8am-8pm • Sat-Sun 10am - 6pm (EST)

Specifications and product details subject to change without notice.

© Copyright 2018, VOLT® Lighting, Lutz, FL USA 33549 • All rights reserved
customersupport@voltlighting.com • 813.978.3700