

# INSTALLATION INSTRUCTIONS



VOLT® Low Voltage Landscape Lighting

VOLT® Sedona Area Light

VHT-306-11-BBZ

---

## Help Hotline:

1-813-978-3700 • Mon-Fri 8am-8pm • Sat-Sun 10am - 6pm (EST)

Specifications and product details subject to change without notice.  
© Copyright 2020, VOLT® Lighting, Lutz FL USA 33549 • All rights reserved.  
[customersupport@voltlighting.com](mailto:customersupport@voltlighting.com) • 813.978.3700



## **! Important: Please Read Before Installation**

This fixture is intended for installation in accordance with local codes and the National Electric Code (NEC). Failure to adhere to these codes and instructions may result in serious injury, property damage and void the warranty.

These instructions do not intend to cover all variations in installation, operation maintenance or mounting situations.

1. Make sure that the power is turned OFF before installing or servicing this fixture.
2. Warning: this fixture is not intended to be installed within 10 feet [3 meters] of a pool, spa or fountain.
3. This fixture is intended to be used only with a power supply (transformer) rated maximum of 300 watts (25 AMPS) at 15 volts.
4. Underground Low Energy Cable must not be buried over 6" (15.2 cm) in order to connect to the main low voltage cable.
5. Wiring connections must be made with UL Listed wire connectors that are suitable for the application.
6. Position the wire connector so that it is located within 6 inches (15.2 cm) from a building structure, a luminaire, or fitting.

## **! Important Safety Instructions**

### **INSTRUCTIONS PERTAINING TO A RISK OF FIRE, OR INJURY TO PERSONS** **Lighted lamp is HOT!**

**WARNING - TO REDUCE THE RISK OF FIRE OR INJURY TO PERSONS.**

1. Turn off/unplug and allow to cool before reducing lamp.
2. Lamp gets HOT quickly!
3. Do not touch the hot lens, guard or cowl.
4. Keep lamp away from materials that may burn.
5. Do not touch lamp at any time.
6. Use a soft cloth.
7. Oil from skin may damage lamp.
8. Do not operate the fixture with a damaged or missing lens or shield.

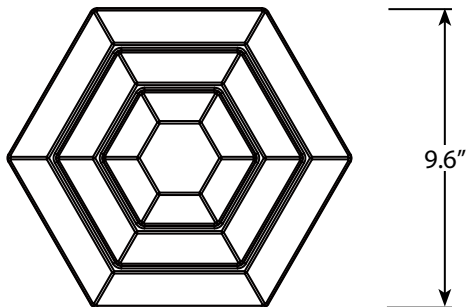
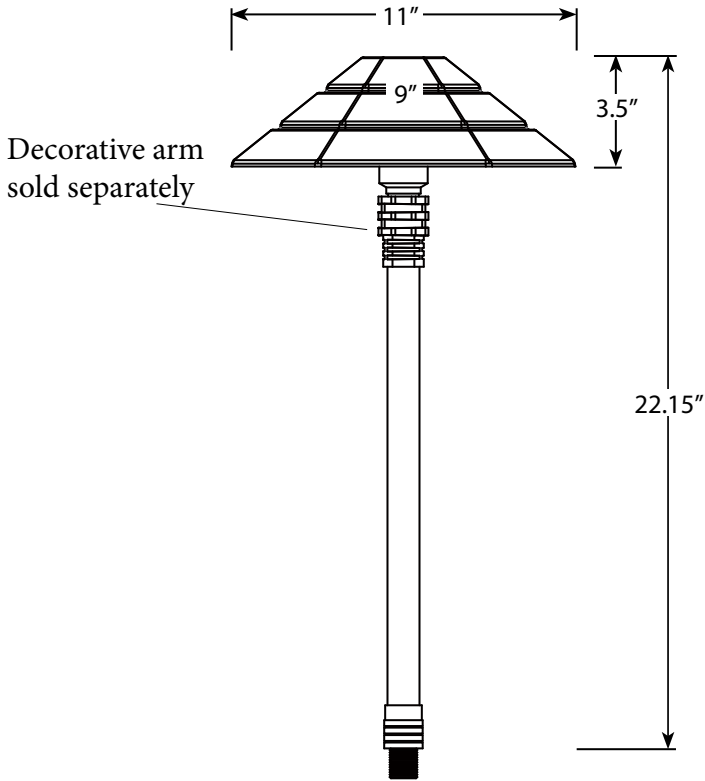
## Package Contents

- A. (1) Hat

## Parts Sold Separately

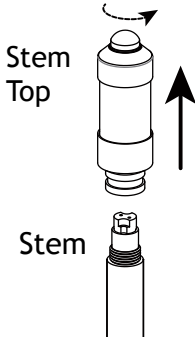
- A. (1) Decorative Arm

## Product Dimensions



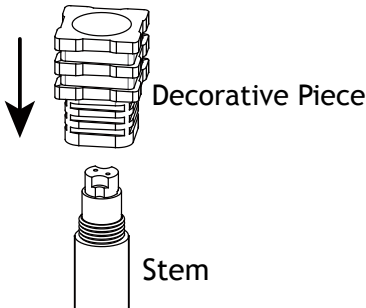


**1 Remove Stem Top**



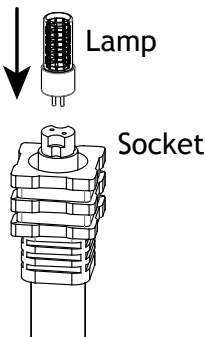
Loosen the stem top and remove it from the top end of the stem.

**2 Install Decorative Piece (optional)**



Place the decorative piece onto the top end of the stem as shown.

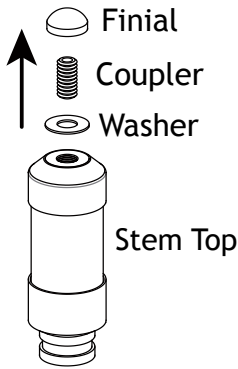
**3 Install Lamp**



Insert the lamp with the correct wattage and type marked on the fixture label and push firmly into place.

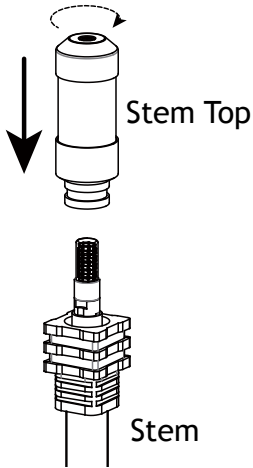
**CAUTION:** Do not exceed maximum wattage marked on fixture label.

#### 4 Remove Washer and Finial



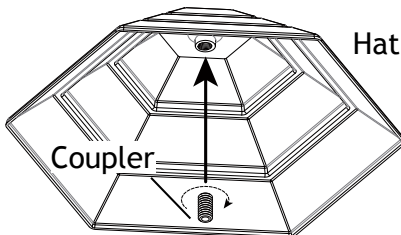
Loosen the finial and remove the finial, coupler and washer from the stem top.

#### 5 Install Stem Top



Place the stem top over the lamp and thread the stem top onto the stem. Hand tighten until snug.

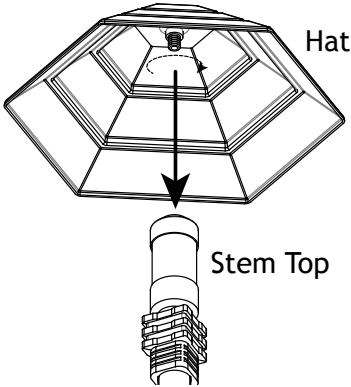
#### 6 Install Coupler to Hat



Thread the coupler onto the hat and hand tighten until snug.

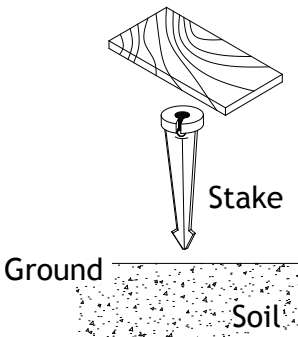


**7 Install Hat**



Thread the hat onto the stem top and hand tighten until snug.

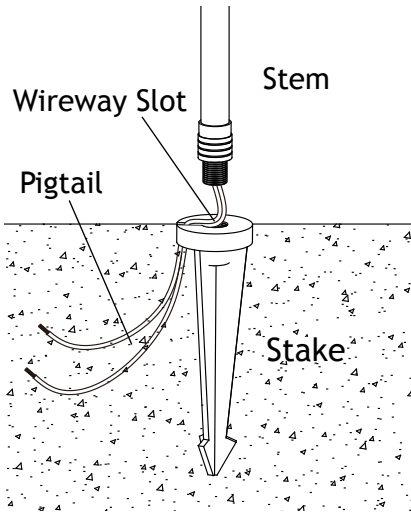
**8 Install Stake**



Determine the desired location for mounting the stake mount. Hammer the stake into the ground until flange of stake is flush to grade. To avoid damage to the stake, place a board on top of the stake while hammering.

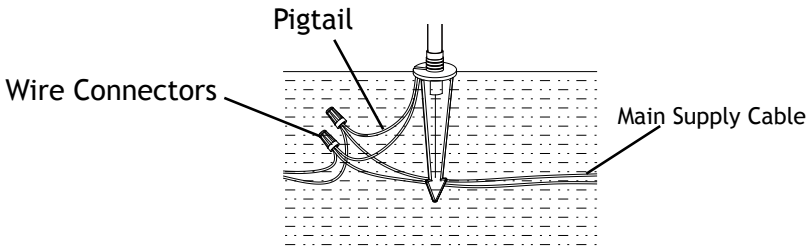
Note: If the ground is hard and the stake is difficult to install, make a crosscut in the ground using a flat shovel.

## 9 Install Stem to Stake



Clear away an area in the ground at the wireway slot on top of the stake. Lay the luminaire pigtail into the wireway slot and secure the stem onto the stake. Tighten until snug.

## 10 Wire Connection



Strip both leads from the luminaire. Using two wire connectors (sold separately), connect the leads from the fixture to the main supply cable leads.

## Install/Replace Lamp

Remove the hat and stem top to expose the lamp and replace it with the correct wattage and type marked on the fixture label. Then, reinstall the stem top and hat.

**IMPORTANT:** Lamps must be protected from moisture and dust at all times. Always reinstall the stem top and hat when removed.



**Help Hotline:**

**1-813-978-3700 • Mon-Fri 8am-8pm • Sat-Sun 10am - 6pm (EST)**

[www.voltlighting.com](http://www.voltlighting.com)

Specifications and product details subject to change without notice.  
© Copyright 2020, VOLT® Lighting, Lutz FL USA 33549 • All rights reserved.  
[customersupport@voltlighting.com](mailto:customersupport@voltlighting.com) • 813.978.3700

is-VHT-306-11-BBZ-ver2.pdf