

INSTALLATION INSTRUCTIONS



VOLT® Low Voltage Landscape Lighting
VOLT® Forged Brass Underwater Light
VUL-680 Series

Help Hotline:

1-813-978-3700 • Mon-Fri 8am-8pm • Sat-Sun 10am - 6pm (EST)

Specifications and product details subject to change without notice.
© Copyright 2017, VOLT® Lighting, Lutz FL USA 33549 • All rights reserved. customersupport@voltlighting.com • 813.978.3700



! Important: Please Read Before Installation

This luminaire is intended for installation in accordance with local codes and the National Electric Code (NEC). Failure to adhere to these codes and instructions may result in serious injury, property damage and void the warranty.

These instructions do not intend to cover all variations in installation, operation maintenance or mounting situation.

1. Make sure that the power is turned OFF before installing or servicing this luminaire.
2. Use only in ponds and small decorative fountains where person will immerse no more than their hands and lower arms while the product is energized.
3. **DO NOT** use in water intended for swimming, wading, immersion or bathing.
4. All installer completed cable connections must be located outside of pond or fountain.
5. Low voltage circuit must be supplied by a power unit marked as suitable for supplying submersible luminaires.
6. Power unit must be supplied by a circuit protected by a ground fault circuit interrupter (GFCI).
7. Maximum depth 18”
8. This luminaire is intended to be used only with a power supply (transformer) rated maximum of 300 watts (25 AMPS) at 15 volts.
9. Wiring connections must be made with wire connectors that is suitable for outdoor use.
10. Position the low voltage wire and wire connector so that it is located within 6 inches (15.2 cm) from a building structure, a luminaire or fitting.
11. The main low voltage cable is intended for shallow burial - less than 6 inches (152 mm)
12. If additional lengths of low voltage cable is required, please contact www.voltlighting.com or call 1-813-978-3700.

IMPORTANT SAFETY INSTRUCTIONS

INSTRUCTIONS PERTAINING TO A RISK OF FIRE, OR INJURY TO PERSONS
Lighted lamp is HOT!

WARNING - To reduce the risk of FIRE OR INJURY TO PERSONS.

1. Turn off/unplug and allow to cool before replacing lamp.
2. Lamp gets HOT quickly! Contact only switch/plug when turning on.
3. Do not touch the hot lens, guard or enclosure.
4. Keep lamp away from materials that may burn.
5. Do not touch lamp at any time. Use a soft cloth. Oil from skin may damage lamp.
6. Do not operate the luminaire fitting with a missing or damage shield.

SAVE THESE INSTRUCTIONS

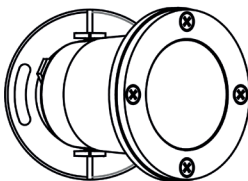
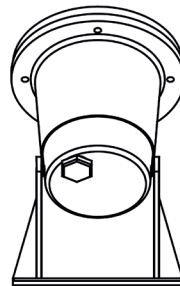
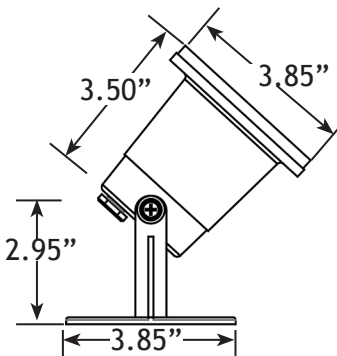
Package Contents

A. (1) Fixture Body

Parts Required

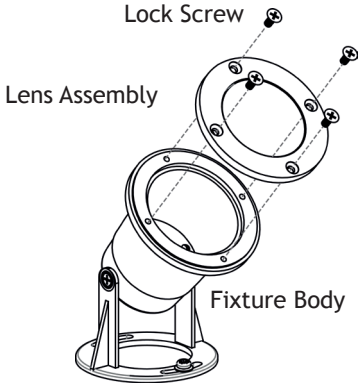
- | | |
|--------------------------------------|--------------------------------------|
| A. (2) Mounting Screw (not included) | D. (1) MR16 Lamp (sold separately) |
| B. (2) Washers (not included) | E. (1) Transformer (sold separately) |
| C. (2) Anchors (not included) | |

Product Dimensions



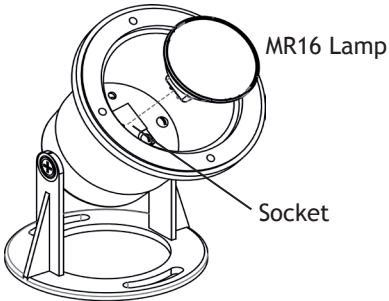


1 Remove Lens Assembly



Using a screwdriver, loosen the lock screws and remove the lens assembly from the fixture body.

2 Install Lamp

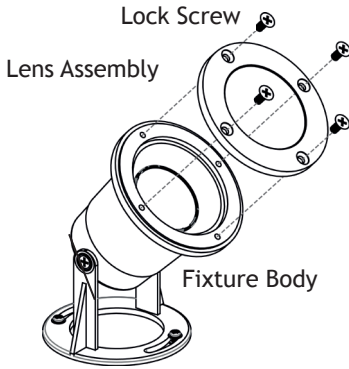


Insert the lamp with the correct wattage and type as marked on the fixture label.

CAUTION: Do not exceed maximum wattage marked on luminaire label.

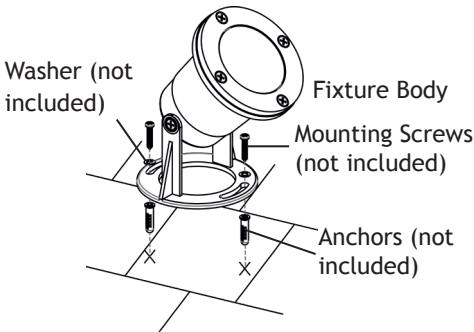
NOTE: DO NOT touch lamp with bare hands. Use soft cloth to handle lamp.

3 Install Lens Assembly



Place the lens assembly back onto the fixture body and secure with lock screws. Tighten until snug with a screwdriver.

4 Mount Fixture Body



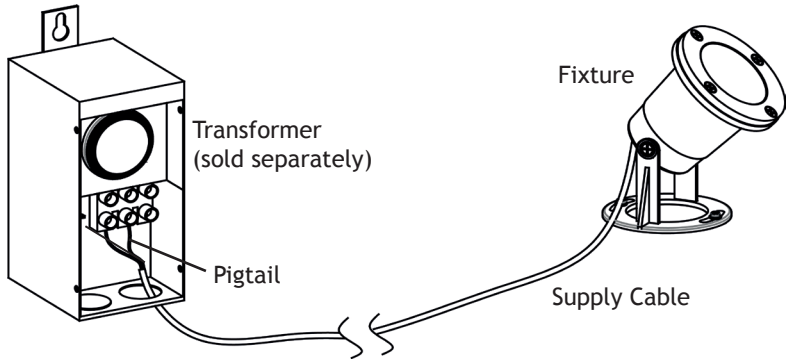
Position the fixture body in a desired location. Using the slots on the fixture base, mark the two mounting points.

Using the marks, drill holes and insert the anchors. Place the fixture body onto the anchors. Pass the washers over the mounting screws and thread the mounting screws into the anchors to secure the fixture body.

Hand tighten until snug with a screwdriver.



5 Wire Connection



Lay out the supply cable to the transformer. Strip both of the leads from the luminaire pigtail. Connect the leads from the luminaire supply cable to the transformer (sold separately).



Help Hotline:

1-813-978-3700 • Mon-Fri 8am-8pm • Sat-Sun 10am - 6pm (EST)

www.voltlighting.com

Specifications and product details subject to change without notice.

© Copyright 2017, VOLT® Lighting, Lutz, FL USA 33549 • All rights reserved
customersupport@voltlighting.com • 813.978.3700