

# INSTALLATION INSTRUCTIONS



VOLT® Low Voltage Landscape Lighting

VOLT® Salty Dog Integrated LED Underwater Light

VUL-711-BBZ

**Help Hotline:**

**1-813-978-3700 • Mon-Fri 8am-8pm • Sat-Sun 10am - 6pm (EST)**

Specifications and product details subject to change without notice.

© Copyright 2019, VOLT® Lighting, Lutz FL USA 33549 • All rights reserved. [customersupport@voltlighting.com](mailto:customersupport@voltlighting.com) • 813.978.3700



**! Important: Please Read Before Installation**

This luminaire is intended for installation in accordance with local codes and the National Electric Code (NEC). Failure to adhere to these codes and instructions may result in serious injury, property damage and void the warranty.

These instructions do not intend to cover all variations in installation, operation maintenance or mounting situations.

1. Make sure that the power is turned OFF before installing or servicing this luminaire.
2. **WARNING:** risk of electrical shock. Install all luminaires 10 feet (3.05M) or more from pool, spa or fountain.
3. This luminaire is intended to be used only with a power supply (transformer) rated maximum of 300 watts (25 AMPS) at 15 volts.
4. Wiring connections must be made with UL listed wire connectors that are suitable for outdoor use.
5. Position the low voltage wire and wire connector so that it is located within 6 inches (15.2 cm) from a building structure, a luminaire or fitting.
6. The main low voltage cable is intended for shallow burial - less than 6 inches (152 mm).

**! Important Safety Instructions**

**INSTRUCTIONS PERTAINING TO A RISK OF FIRE, OR INJURY TO PERSONS**  
**Lighted lamp is HOT!**

**WARNING - TO REDUCE THE RISK OF FIRE OR INJURY TO PERSONS.**

1. Turn off/unplug and allow to cool before replacing lamp.
2. Lamp gets HOT quickly! Contact only switch/plug when turning on.
3. Do not touch the hot lens, guard or enclosure.
4. Keep lamp away from materials that may burn.
5. Do not touch lamp at any time. Use a soft cloth. Oil from skin may damage lamp.
6. Do not operate the luminaire fitting with a missing or damaged shield.



## Important: UL Warnings

### “WARNING-RISK OF ELECTRIC SHOCK”

1. Use only in ponds and small decorative fountains where persons will immerse no more than their hands and lower arms while the product is energized.
2. DO NOT use in water intended for swimming, wading, immersion or bathing.
3. All installer completed cable connections must be located outside of pond or fountain.
4. Low voltage circuit must be supplied by a power unit marked as suitable for supplying submersible luminaries.
5. Power until must be supplied by a circuit protected by a ground fault circuit interrupter (GFCI).
6. “Maximum depth: 18in (450 mm)”.

# INSTALLATION INSTRUCTIONS



VOLT® Salty Dog Brass LED Underwater Light  
VUL-711-BBZ

## Package Contents

A. (1) Fixture

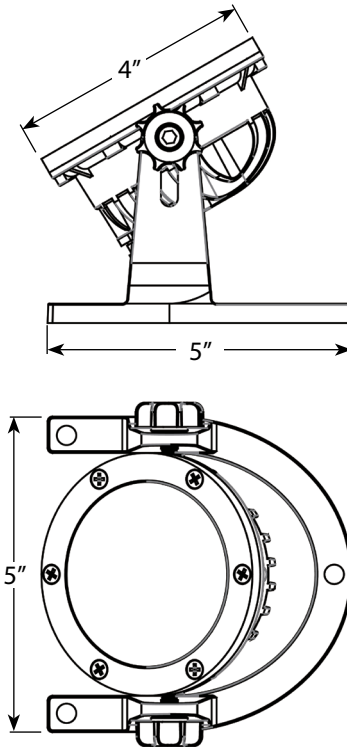
## Parts (sold separately)

A. (3) Mounting Screws

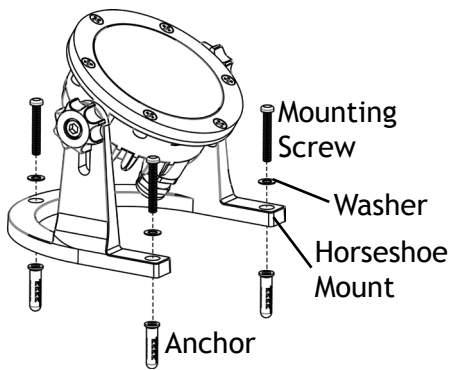
C. (3) Anchors

B. (3) Flat Washers

## Product Dimensions



## 1 Install Horseshoe Mount

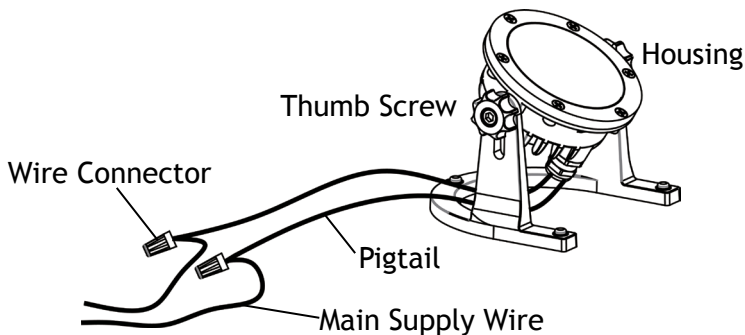


Place the horseshoe mount on the desired location and mark (3) points for the anchors from the holes on the horseshoe mount.

Drill proper holes on the location and insert anchors into the drilled holes. Attach the horseshoe mount onto the anchors. Pass the washers over the mounting screws and thread the mounting screws into the anchors to secure the horseshoe mount. Hand tighten until snug with a screwdriver.

**NOTE: SOME APPLICATIONS ARE NOT SUITABLE FOR PERMANENT MOUNTING AND DO NOT REQUIRE OR WARRANT THE USE OF SCREWS AND ANCHORS**

## 2 Wire Connection



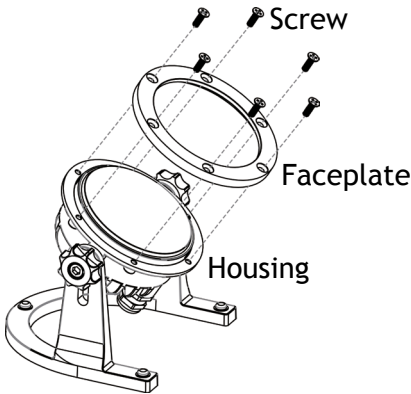
Strip both leads from the luminaire pigtail. Using two wire connectors (sold separately), connect the leads from the luminaire to the main supply cable leads.

Adjust the housing to your desired direction by using the lock nuts on the side of the housing.



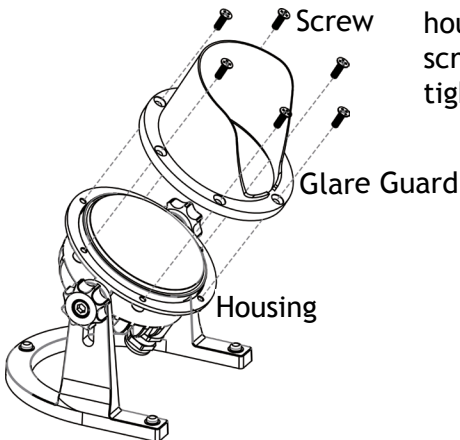
## Install/Replace Glare Guard

### 3 Remove Ring



Loosen the screws on the faceplate and remove the faceplate from the housing.

### 4 Install Glare Guard



Install the glare guard onto the housing and secure it with the screws previously removed, tightening them in a star pattern.





**Help Hotline:**

**1-813-978-3700 • Mon-Fri 8am-8pm • Sat-Sun 10am - 6pm (EST)**

[www.voltlighting.com](http://www.voltlighting.com)

Specifications and product details subject to change without notice.

© Copyright 2019, VOLT® Lighting, Lutz FL USA 33549 • All rights reserved. [customersupport@voltlighting.com](mailto:customersupport@voltlighting.com) • 813.978.3700

is-VUL-711-BBZ-ver8.pdf