

INSTALLATION INSTRUCTIONS



VOLT® Low Voltage Landscape Lighting

VOLT® Salty Dog Brass MR16 In-Grade Light

VWL-703-BBZ

Help Hotline:

1-813-978-3700 • Mon-Fri 8am-8pm • Sat-Sun 10am - 6pm (EST)

Specifications and product details subject to change without notice.

© Copyright 2019, VOLT® Lighting, Lutz FL USA 33549 • All rights reserved. customersupport@voltlighting.com • 813.978.3700



! Important: Please Read Before Installation

This fixture is intended for installation in accordance with local codes and the National Electric Code (NEC). Failure to adhere to these codes and instructions may result in serious injury, property damage and void the warranty.

These instructions do not intend to cover all variations in installation, operation maintenance or mounting situations.

1. Make sure that the power is turned OFF before installing or servicing this fixture.
2. Warning: this fixture is not intended to be installed within 10 feet [3 meters] of a pool, spa or fountain.
3. This fixture is intended to be used only with a power supply (transformer) rated maximum of 300 watts (25 AMPS) at 15 volts.
4. Underground Low Energy Cable must not be buried over 6” (15.2 cm) in order to connect to the main low voltage cable.
5. Wiring connections must be made with UL listed wire connectors that are suitable for outdoor use.
6. Position the wire connector so that it is located within 6 inches (15.2 cm) from a building structure, a luminaire, or fitting.
7. If additional lengths of low voltage cable is required, please call 1-813-978-3700.

! Important Safety Instructions

LIGHTED LAMP IS HOT!

WARNING - TO REDUCE THE RISK OF FIRE OR INJURY TO PERSONS.

1. Turn off/unplug and allow to cool before reducing lamp.
2. Lamp gets HOT quickly!
3. Do not touch the hot lens, guard or cowl.
4. Keep lamp away from materials that may burn.
5. Do not touch lamp at any time.
6. Use a soft cloth.
7. Oil from skin may damage lamp.
8. Do not operate the fixture with a damaged or missing lens or shield.

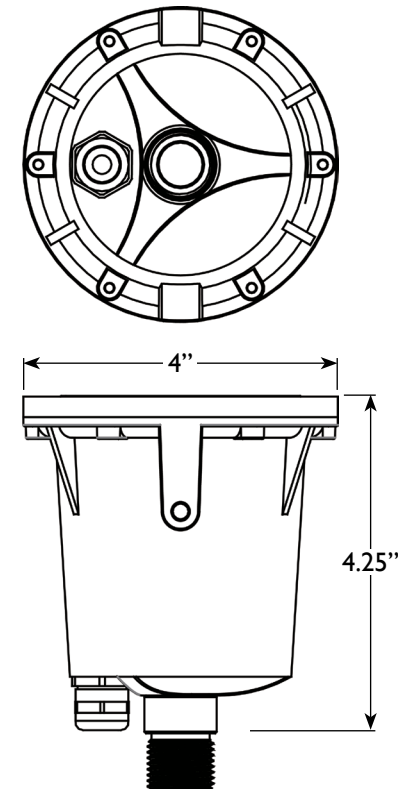
Package Contents

- | | |
|----------------|--------------|
| A. (1) Fixture | B. (1) Stake |
|----------------|--------------|

Parts Required (sold separately)

- A. (1) MR16 Lamp

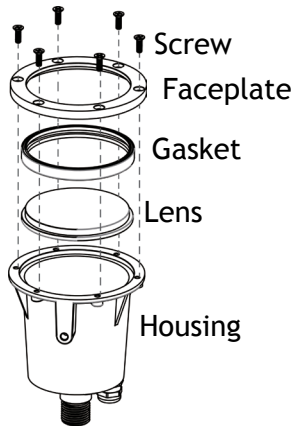
Product Dimensions





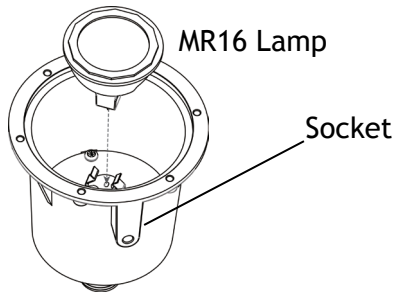
VOLT® Salty Dog Brass MR16 In-Grade Light
VWL-703-BBZ

1 Remove Faceplate and Lens



Unlock the screws and remove the faceplate, gasket, and lens from the housing.

2 Install/Replace Lamp

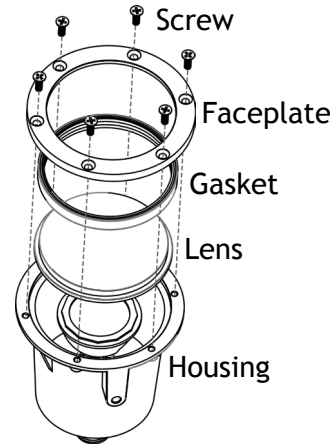


Insert lamp with correct wattage and type marked on fixture label.

CAUTION: Do not exceed maximum wattage marked on luminaire label.

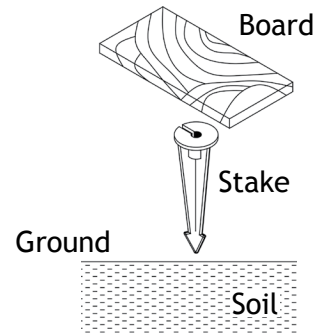
NOTE: DO NOT touch lamp with bare hands. Use a soft cloth to handle lamp.

3 Install Lens and Faceplate



Place the lens, gasket and faceplate back onto the housing. Secure them with screws previously removed. Hand tighten until snug, then use a screwdriver to secure them in a star pattern.

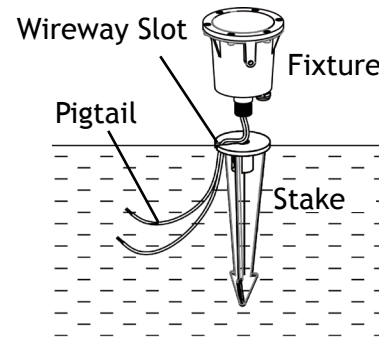
4 Install Stake



Determine the desired location for mounting the fixture. Hammer the stake into the ground until flange of stake is flush to grade. To avoid damage to the stake, place a board on top of the stake while hammering.

NOTE: If the ground is hard and the stake is difficult to install, make a crosscut in the ground using a flat shovel before hammering the stake.

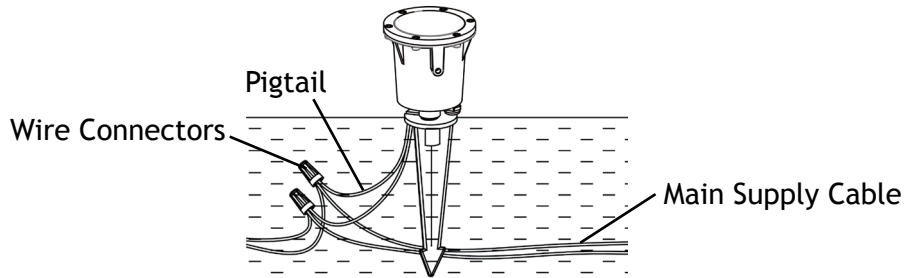
5 Install Fixture to Stake



Clear away an area in the ground at the wireway slot on top of the stake. Lay the luminaire pigtail into the wireway slot and screw the fixture onto the stake. Tighten until snug.



6 Wire Connections



Strip both leads from the luminaire pigtail. Using two wire connectors (sold separately), connect leads from luminaire to the main supply cable.



Help Hotline:

1-813-978-3700 • Mon-Fri 8am-8pm • Sat-Sun 10am - 6pm (EST)

www.voltlighting.com

Specifications and product details subject to change without notice.

© Copyright 2019, VOLT® Lighting, Lutz FL USA 33549 • All rights reserved. customersupport@voltlighting.com • 813.978.3700

IS-VWL-703-BBZ-ver1.pdf