

INSTALLATION INSTRUCTIONS



VOLT® Low Voltage Landscape Lighting

VOLT® Brass Bunker Step Light

VHS-63X-4-BBZ

Help Hotline:

1-813-978-3700 • Mon-Fri 8am-8pm • Sat-Sun 10am - 6pm (EST)

Specifications and product details subject to change without notice.
© Copyright 2017, VOLT® Lighting, Lutz FL USA 33549 • All rights reserved.
customersupport@voltlighting.com • 813.978.3700



! Important: Please Read Before Installation

This luminaire is intended for installation in accordance with local codes and the National Electric Code (NEC). Failure to adhere to these codes and instructions may result in serious injury, property damage and void the warranty.

These instructions do not intend to cover all variations in installation, operation maintenance or mounting situation.

1. Make sure that the power is turned OFF before installing or servicing this luminaire.
2. **WARNING:** risk of electrical shock. Install all luminaires 10 feet (3.05M) or more from pool, spa or fountain.
3. This luminaire is intended to be used only with a power supply (transformer) rated maximum of 300 watts (25 AMPS) at 15 volts.
4. Wiring connections must be made with wire connectors that are suitable for outdoor use.
5. Position the low voltage wire and wire connector so that it is located within 6 inches (15.2 cm) from a building structure, a luminaire or fitting.
6. The main low voltage cable is intended for shallow burial - less than 6 inches (152 mm)
7. If additional lengths of low voltage cable are required, please contact www.voltlighting.com or call 1-813-978-3700.

! IMPORTANT SAFETY INFORMATION

**INSTRUCTIONS PERTAINING TO A RISK OF FIRE, OR INJURY TO PERSONS
Lighted lamp is HOT!**

WARNING - To reduce the risk of FIRE OR INJURY TO PERSONS.

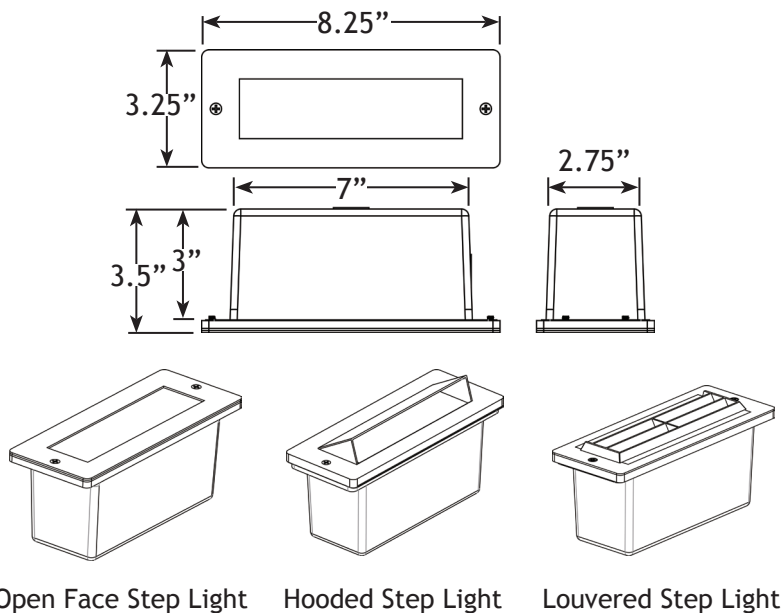
1. Turn off/unplug and allow to cool before replacing lamp.
2. Lamp gets HOT quickly! Contact only switch/plug when turning on.
3. Do not touch the hot lens, guard or enclosure.
4. Keep lamp away from materials that may burn.
5. Do not touch lamp at any time. Use a soft cloth. Oil from skin may damage lamp.
6. Do not operate the luminaire fitting with a missing or damaged shield.

SAVE THESE INSTRUCTIONS

Package Contents

- A. (1) Housing
- B. (1) Luminaire Cover with Gasket
- C. (2) Lock Screws

Product Dimensions

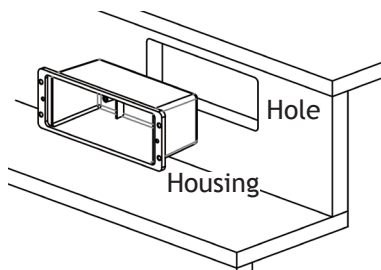


Before Starting:

1. Desired location for each luminaire should be determined before construction of the wall is started.
2. If access to the back of the wall is limited, the cable/conduit should be run prior to construction.

Installation in Wood Wall or Stair, Refer to Step 1 to Step 2.

1 Cut Hole

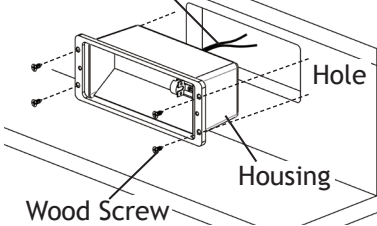


Using the luminaire housing as a template, mark the location of the housing on the wall or deck. Cut the hole from the mark.



2 Install Housing in Wall or Deck

Main Low Voltage
Supply Cable

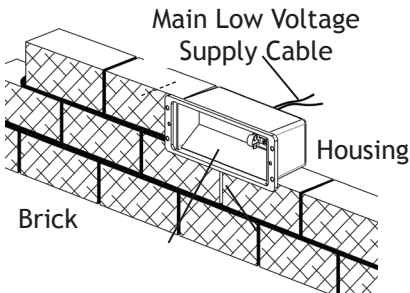


Pass the supply wires through the cut holes and insert the housing into the hole. Secure with wood screws.

Continue from Step 4 to complete all installations.

Installation in Brick Wall, Refer to Step 3.

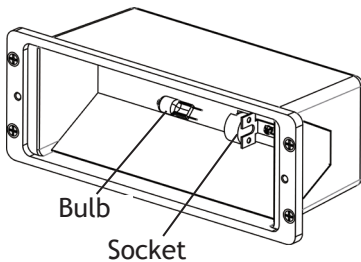
3 Install Housing in Brick Wall



Mortar housing into place as if it were a brick.

Continue the following steps to complete all installations.

4 Install Bulb

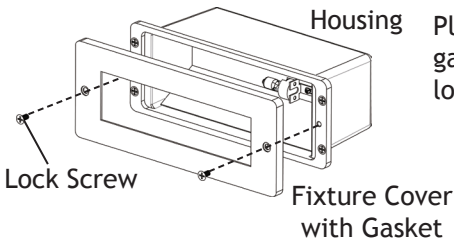


Insert the bulb with the correct wattage and type marked on the luminaire label.

CAUTION: Do not exceed maximum wattage marked on luminaire label.

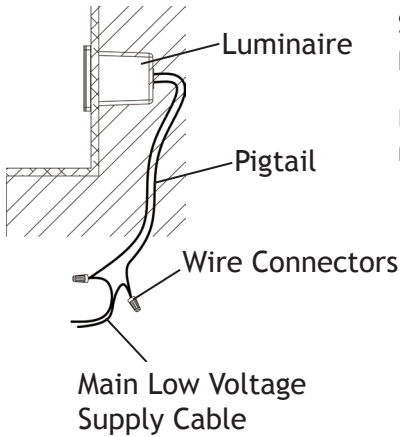
NOTE: DO NOT touch bulb with bare hands. Use soft cloth to handle lamp.

5 Install Fixture Cover with Gasket



Place the luminaire cover with gasket onto housing and secure with lock screws.

6 Wire Connection



Strip both leads from the luminaire pigtail. Using two wire connectors (sold separately), connect the leads from the luminaire to the main supply cable leads.

Install/Replace Lamp

Reverse Step 4 - Step 5 to expose the bulb and replace it with the correct wattage and type marked on the luminaire label. Reinstall the luminaire cover.

IMPORTANT: Halogen lamps must be protected from moisture and dust at all times. Always reinstall luminaire cover when moved.



Help Hotline:

1-813-978-3700 • Mon-Fri 8am-8pm • Sat-Sun 10am - 6pm (EST)

www.voltlighting.com

Specifications and product details subject to change without notice.
© Copyright 2017, VOLT® Lighting, Lutz FL USA 33549 • All rights reserved.
customersupport@voltlighting.com • 813.978.3700

is-brassbunker-ver3.pdf