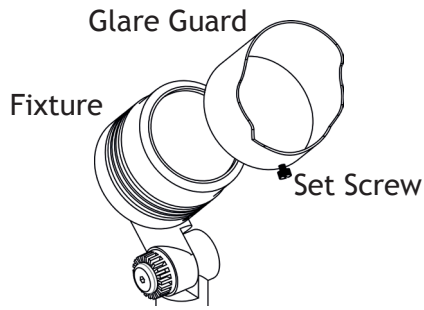


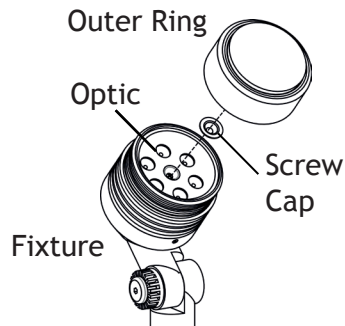
Install Colored Lenses*

1 Remove Glare Guard



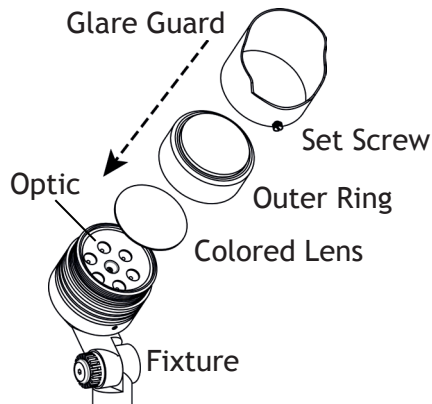
Loosen the set screw and remove the glare guard from the fixture.

2 Remove Outer Ring and Screw Cap



Unscrew the outer ring and remove it from the fixture. Remove the screw cap at the center of the optic.

3 Install Colored Lens



Place the colored lens onto the optic. Screw the outer ring onto the fixture and reinstall the glare guard. Secure with the set screw.

* fixtures can only accommodate one lens - colored lenses cannot be used in conjunction with other colored lenses or diffusers