

# INSTALLATION INSTRUCTIONS



## VOLT® Low Voltage Landscape Lighting Big PAR36 Flood Light

---

### Help Hotline:

1-813-978-3700 • Mon-Fri 8am-8pm • Sat-Sun 10am - 6pm (EST)

Specifications and product details subject to change without notice.  
© Copyright 2014, VOLT® Lighting, Lutz FL USA 33549 • All rights reserved.  
[customersupport@voltlighting.com](mailto:customersupport@voltlighting.com) • 813.978.3700



## **! Important: Please Read Before Installation**

This luminaire is intended for installation in accordance with local codes and the National Electric Code (NEC). Failure to adhere to these codes and instructions may result in serious injury, property damage and void the warranty.

These instructions do not intend to cover all variations in installation, operation maintenance or mounting situation.

1. Make sure that the power is turned OFF before installing or servicing this luminaire.
2. **WARNING:** risk of electrical shock. Install all luminaires 10 feet (3.05M) or more from pool, spa or fountain.
3. This luminaire is intended to be used only with a power supply (transformer) rated maximum of 300 watts (25 AMPS) at 15 volts.
4. Wiring connections must be made with wire connectors that is suitable for outdoor use.
5. Position the low voltage wire and wire connector so that it is located within 6 inches (15.2 cm) from a building structure, a luminaire or fitting.
6. The main low voltage cable is intended for shallow burial - less than 6 inches (152 mm)
7. If additional lengths of low voltage cable is required, please contact [www.voltlighting.com](http://www.voltlighting.com) or call 1-813-978-3700.

## **! Important Safety Instructions**

**INSTRUCTIONS PERTAINING TO A RISK OF FIRE, OR INJURY TO PERSONS  
Lighted lamp is HOT!**

**WARNING** - To reduce the risk of FIRE OR INJURY TO PERSONS.

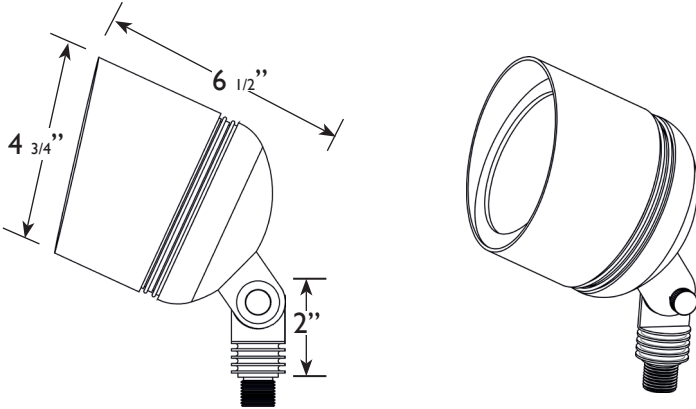
1. Turn off/unplug and allow to cool before replacing lamp.
2. Lamp gets HOT quickly! Contact only switch/plug when turning on.
3. Do not touch the hot lens, guard or enclosure.
4. Keep lamp away from materials that may burn.
5. Do not touch lamp at any time. Use a soft cloth. Oil from skin may damage lamp.
6. Do not operate the luminaire fitting with a missing or damage shield.

SAVE THESE INSTRUCTIONS

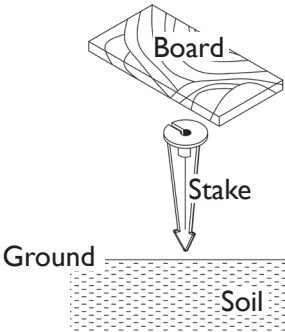
## Package Contents

- A. (1) Stake
- B. (1) Base
- C. (1) Lamp Holder
- D. (1) Shield with Lens

## Product Dimensions



## 1 Install Stake

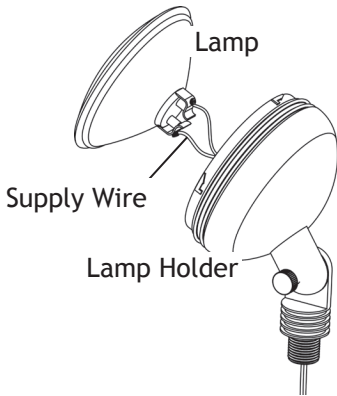


Determine desired location for mounting luminaire. Hammer stake into ground until flange of stake is flush to grade. To avoid damage to stake, place a board on top of stake while hammering.

**NOTE:** If ground is hard and stake is difficult to install, make a crosscut in ground using a flat shovel.



## 2 Install Lamp



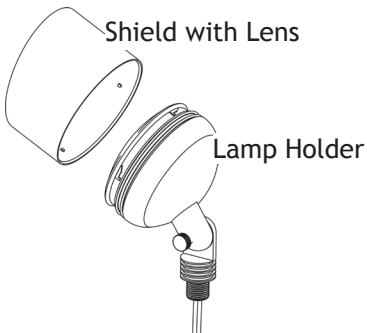
Use a PAR36 lamp, sold separately, with correct wattage and type as marked on luminaire label.

Connect supply wires to screws on the bottom of lamp, tighten until snug with screwdriver. Push lamp into lamp holder and seat in place.

**CAUTION:** Do not exceed maximum wattage marked on luminaire label.

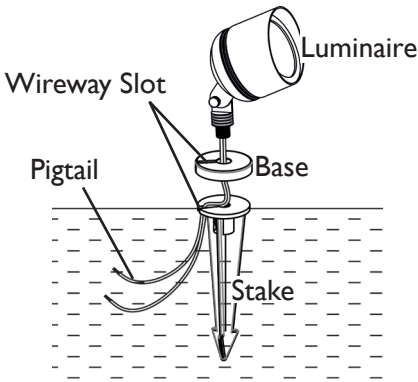
**NOTE:** DO NOT touch lamp with bare hands. Use soft cloth to handle lamp.

## 3 Install Shield with Lens



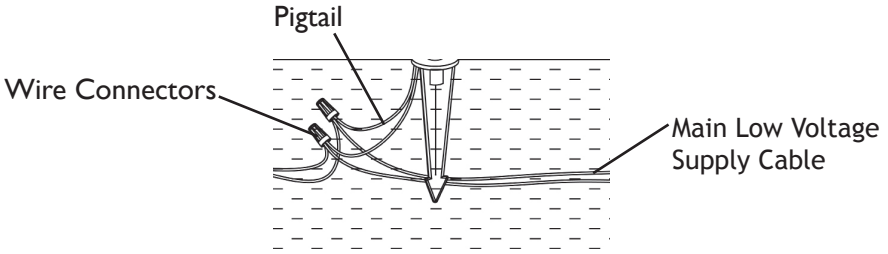
Install shield with lens to lamp holder by aligning locking pins on both of them. Be sure to position the shield with lens properly in place.

## 4 Install Luminaire to Stake



Clear away area in ground at wireway slot in top of stake. Align the wireway slots on base and stake. Lay luminaire pigtail into wireway slots and screw luminaire into stake. Tighten until snug to secure base.

## 5 Wire Connection



Strip two leads from luminaire pigtail. Using two wire connectors, sold separately, connect leads from luminaire to main low voltage supply cable leads.

## Install/Replace Lamp

Reverse Step 2 - Step 3 to expose the lamp and replace it with correct wattage and type marked on luminaire label. Reinstall shield with lens.

**IMPORTANT:** Halogen lamps must be protected from moisture and dust at all times. Always re-install shield with lens when moved.



**Help Hotline:**

**1-813-978-3700 • Mon-Fri 8am-8pm • Sat-Sun 10am - 6pm (EST)**

[www.voltlighting.com](http://www.voltlighting.com)

Specifications and product details subject to change without notice.  
© Copyright 2014, VOLT® Lighting, Lutz FL USA 33549 • All rights reserved.  
[customersupport@voltlighting.com](mailto:customersupport@voltlighting.com) • 813.978.3700