

INSTALLATION INSTRUCTIONS



VOLT® Landscape Lighting
LED Floodlights
VFL-120V Series

Help Hotline:

1-813-978-3700 • Mon-Fri 8am-8pm • Sat-Sun 10am - 6pm (EST)

Specifications and product details subject to change without notice.
© Copyright 2017, VOLT® Lighting, Lutz FL USA 33549 • All rights reserved.
customersupport@voltlighting.com • 813.978.3700



Important: Please Read Before Installation

1. This LED Floodlight uses the latest in solid state lighting technology for long life, low maintenance, and high efficiency.
2. An internal power-factor-corrected switch mode supply allows this fixture to be used from any nominal 100V-277V, 60Hz AC supply without any variation in light output.
3. Suitable for use in:
 - a. Ambient Temperatures of: -20-+40°C (-4-+104°F)
 - a. Wet Locations

Note: Save these instructions for future reference.

Important Safety Instructions

To avoid the risk of fire, explosion, or electric shock, this product should be installed, inspected, and maintained by a qualified electrician only, in accordance with all applicable electrical codes.

To avoid electric shock:

1. Be certain electrical power is OFF before and during installation and maintenance.
2. Luminaire must be connected to a wiring system with an equipment-grounding conductor.

To avoid explosion:

1. Make sure the supply voltage is the same as the rated luminaire voltage.
2. Do not install where the marked operating temperatures exceed the ignition temperature of the hazardous atmosphere.
3. Do not operate in ambient temperatures above those indicated on the luminaire.

For supply connections use wire rated for at least 90°C (194°F)

Warning: these luminaire should ONLY be installed by a qualified electrician.

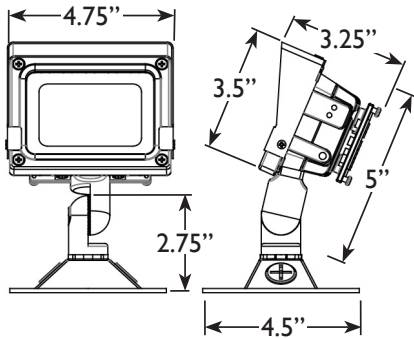
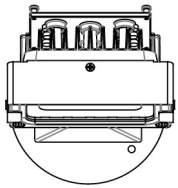
Package Contents

A. (1) Lampbody

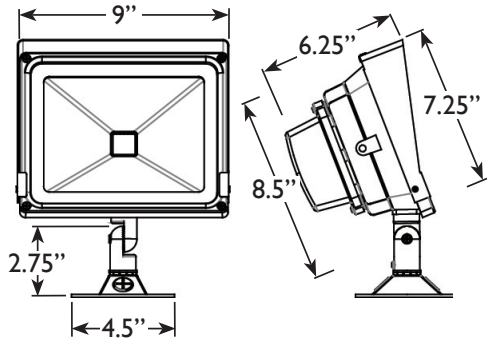
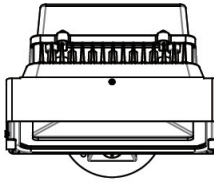
Products Model

Model	Input Voltage	Power Factor	Watt	Input Current	Mounting
VFL-4000-LI-ABZ	100-277V	≥0.95	10W	0.3A	Knuckle
VFL-4003-LI-ABZ			30W	0.5A	
VFL-4005-LI-ABZ			50W	0.8A	

Product Dimensions



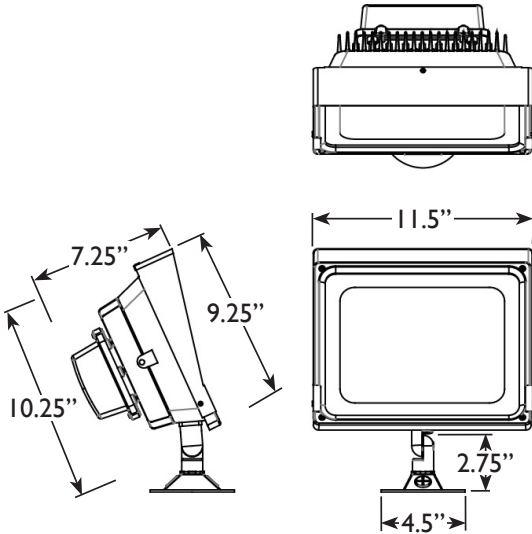
VFL-4000-ABZ



VFL-4003-ABZ

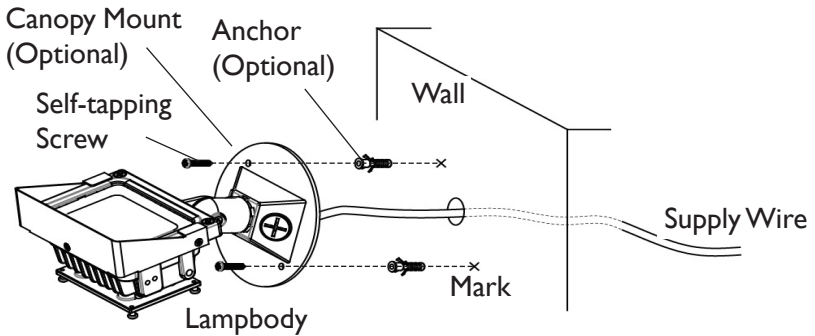


Product Dimensions - Continued



VFL-4005-ABZ

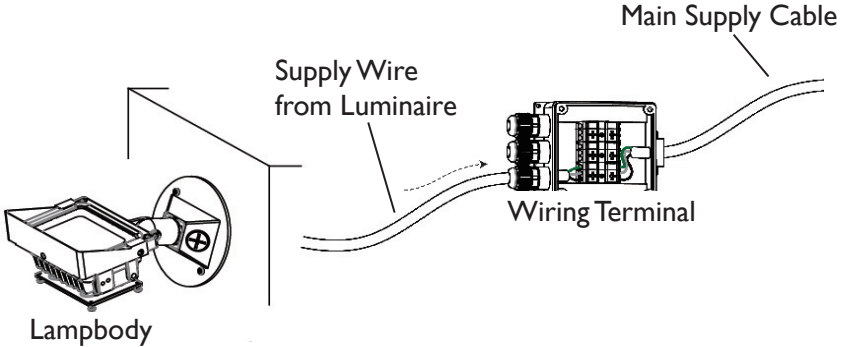
1 Install Lampbody



Pass supply wire from lampbody through the hole on the wall or J box. Attach the lampbody to the wall and secure with self-tapping screws. Hand tighten until snug.

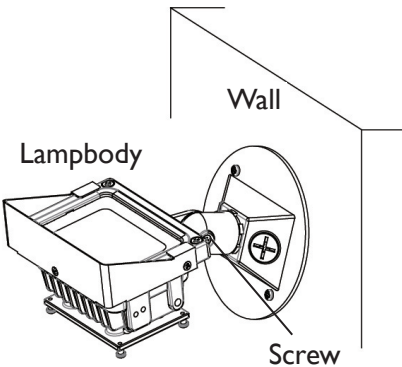
NOTE: Wall Anchors are required for brick walls or concrete walls. To determine anchor locations, place the backplate of the lampbody onto your desired location and mark points from the holes on the backplate.

2 Wire Connections



Allow enough wire from the lampbody for adjustment purposes. Connect wires from the fixture into the wiring terminal. The white wire goes to the “Neutral” terminal; the black wire goes to the “Live” terminal; and the green wire goes to the “Ground” terminal. Fix them in place with the connector screws.

3 Adjust Lampbody



Adjust the lampbody to your desired orientation and tighten the set screw on the knuckle with a screwdriver.



After installation, please

- A. Double check whether the lighting fixture is firmly fixed.
- B. Double check the wires are connected correctly.

Lastly, turn on the power and check if the lighting fixture is working properly. If not, please turn off the power and contact us at 813-978-3700.



Help Hotline:

1-813-978-3700 • Mon-Fri 8am-8pm • Sat-Sun 10am - 6pm (EST)

www.voltlighting.com

Specifications and product details subject to change without notice.
© Copyright 2017, VOLT® Lighting, Lutz FL USA 33549 • All rights reserved.
customersupport@voltlighting.com • 813.978.3700

IS-VFL-120V Series-ver1.pdf