



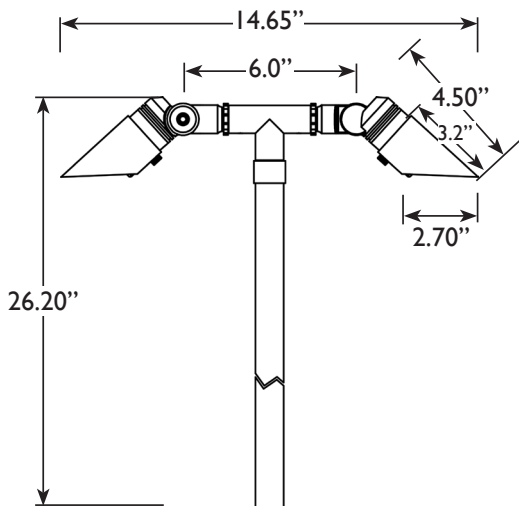
VOLT® Low Voltage Landscape Lighting All Star™ Twinnovator Path Light

Product Description

The VOLT® All Star Twinnovator path light offers the most adjustability and versatility of any path light we offer. With twin All Star™ fixtures; each with the ability to rotate 360 degrees on one axis and 180 degrees on the other, you can get very creative in your lighting efforts with the Twinnovator. Based on our popular Innovator path light, our Twinnovator features (2) All Star Mini fixtures sitting at just over 26" high. This fixture is great for large path areas that may also require precision. With area lights, you cover a wide area, but have virtually no adjustability. With the All Star™ Twinnovator, you get the best of both worlds!



Product Dimensions



Specifications

- ▶ **Construction:** Cast Brass
- ▶ **Finish:** Bronze
- ▶ **Lead Wire:** 16AWG, SPT-2 premium tinned copper
- ▶ **Glass or Lens:** Clear Protective Glass
- ▶ **Light Source (Sold Separately):** 2x MR11 bulbs
- ▶ **Maximum Lamp Rating:** 20W
- ▶ **Operating Voltage:** 12V AC
- ▶ **Powered by:** VOLT's Low Voltage Transformer

Warranty

Lifetime Warranty

Features & Benefits

- ▶ Solid Brass
- ▶ Pre-aged finish- a natural patina that does not corrode
- ▶ Beryllium copper socket - more corrosion resistant than copper
- ▶ Silicone plug at lead wire exit prevents ground moisture and insects from entering luminaire through the stem
- ▶ Pressure-fit rubber gasket for a moisture tight design

Certifications

