



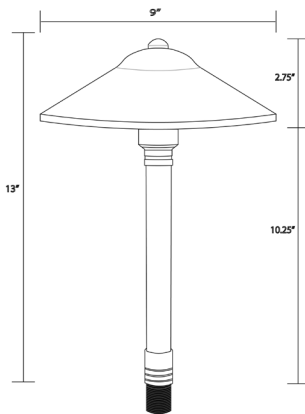
VOLT® Low Voltage Landscape Lighting

Max Spread Mini Path & Area Lights - 330 Series

Product Description

The Max Spread Mini Path & Area Light is a high-quality outdoor light that lives up to its name. This is a shorter version of our extremely popular Max Spread Area/Path Light. It projects a large 8' diameter region of illumination (30% greater than most other path lights). Substantially proportioned for wider and longer paths, the large shade with a shallow angle and tall post all equate to wider regions of illumination. The Max Spread Mini Area Path light has the largest spread of all our mini path and area lights. Includes 10" Hammer™ Stake. Various mounting options available. Lifetime Warranty.

Product Dimensions



Specifications

- ▶ **Construction:** Solid Brass or Solid Raw Copper
- ▶ **Finish:** Bronze, Powder Coated Black or Raw Copper
- ▶ **Lead Wire:** 18AWG
- ▶ **Mounting:** 10" Hammer® Stake with cutout for wire exit
- ▶ **Lens:** Clear Protective Polycarbonate lens
- ▶ **Light Source (sold separately):** Bi-Pin (LED or Halogen)
- ▶ **Operating Voltage:** 12V AC
- ▶ **Powered by:** VOLT's Low Voltage Transformer

Warranty

Lifetime Warranty

Certifications



Features & Benefits

- ▶ Solid Brass or Copper Construction.
- ▶ Pre aged patina or powder coated finish.
- ▶ Stem is 1-inch thick and includes extra-long (1-inch) strip resistant threading for greater stability.
- ▶ Beryllium copper socket - more corrosion resistant than copper.
- ▶ Silicone plug at lead wire exit prevents ground moisture and insects from entering luminaire through the stem.
- ▶ Machine threaded body screws tight onto an O-ring for a moisture tight design.