



VOLT® Low Voltage Transformers

Pro 900 & 1200 Watt 12-22v Multi-Tap Transformer

Product Description

VOLT® 12-22v Landscape Lighting Transformers feature top-of-the-line internal and external components for professional results and commercial reliability. The Extra large voltage taps make these truly the perfect solution for large landscape lighting systems - especially those with very long (or heavily loaded) wire runs. The extremely reliable, efficient, and quiet toroidal magnetic core lasts a lifetime. The transformer also runs cooler than conventional laminated magnetic types. The solid stainless steel body further ensures that this transformer will never corrode. The 12 to 22 volt taps provide the ability to compensate for voltage loss. For example, using the 22 volt tap, you could install up to 60W of LED lights with a wire run of 600 ft. of #10/2 cable! (Note - we don't advise planning for such long runs - better to relocate your transformer). The 22-volt tap also allows you to increase your transformer load on shorter runs. For example, with a 150 ft. run using #10/2 - you can load up to 140W of LED lights. Easily one of the best low voltage transformers on the market. Don't settle on any lesser quality! Order your commercial-grade low voltage transformer today from VOLT®



Specifications

- ▶ **Housing:** Non-brushed 304 stainless steel with removable cover
- ▶ **Power Cord:** 60" black 18AWG SJTW cord and plug set
- ▶ **Input Voltage:** 120V
- ▶ **Voltage Taps:**
 - 12-22V
- ▶ **Primary Circuit Protection:** Automatic (auto reset) thermal breaker in core
- ▶ **Secondary Circuit Protection:**
 - (3) 25A magnetic circuit breakers (900w)
 - (4) 25A magnetic circuit breakers (1200w)

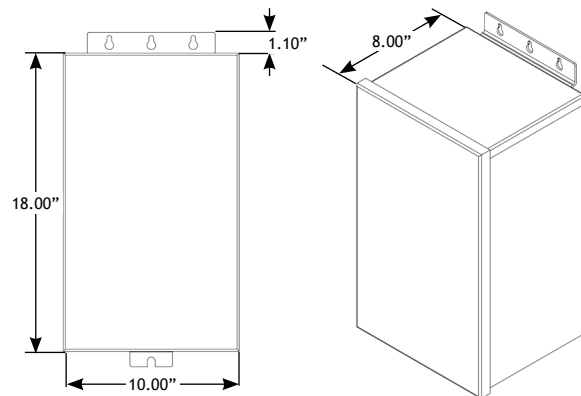
Features & Benefits

- ▶ Highly efficient toroidal core* - runs cooler, generates less noise, with less voltage loss under load.
- ▶ Unique color-coded wire markers for easy maintenance and troubleshooting.
- ▶ Extra-large voltage taps (UL 1838 compliant) - to accommodate landscape lighting systems of any size.
- ▶ Available in 900w and 1200w capacities
- ▶ Includes a photocell and timer receptacle.
- ▶ ETL Listed for both indoor and outdoor use.

Warranty

Lifetime Warranty

Product Dimensions



Certifications

