



# VOLT® Low Voltage Landscape Lighting

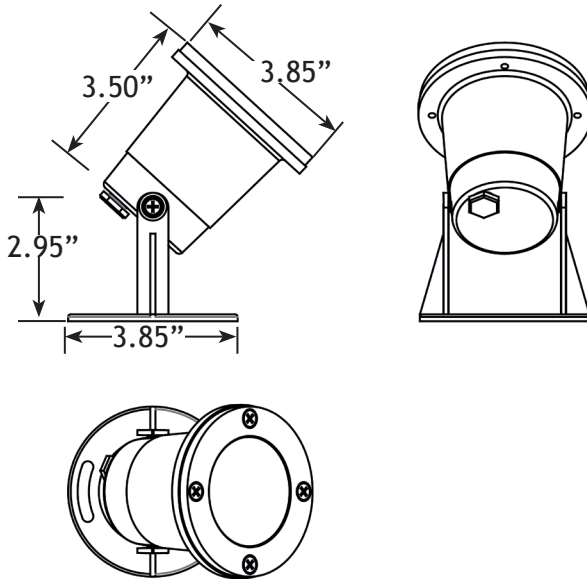
## VOLT® Forged Brass Underwater Light

### Product Description

When you don't want it to leak (and you want it to last) there is only one choice in underwater light construction-- FORGED BRASS! Forged brass is less porous than cast brass. Starts with one chunk of solid brass that is heated red hot and then forged into this shape-- a true heavyweight, quality underwater light for use in fountains and water features. Precisely-engineered brass faceplate screws onto the body and fits onto O-ring for a watertight seal. A pressure fitting seals the opening where the cable enters the fixture. Solid forged brass construction is the best material for underwater use, especially in chlorinated and chemically treated water features where aluminum will corrode. Uses MR16 lamps.



### Product Dimensions



### Specifications

- ▶ Construction: Forged Brass
- ▶ Finish: Bronze
- ▶ Lead Wire: 25' 18AWG SPT-1
- ▶ Glass or Lens: Clear Flat Glass
- ▶ Light Source: LED MR16
- ▶ Color Rendering Index (CRI): 80+
- ▶ Operating Voltage: 12V
- ▶ Powered by: VOLT's Low Voltage Transformer

### Warranty

VOLT Lifetime Warranty

### Certifications



### Features & Benefits

- ▶ Cold forged brass faceplate with pressure fit gasket (must be tightened in a star pattern) to guarantee complete waterproofing.
- ▶ Water tight wire glands ensure water cannot get inside the fixture.
- ▶ Brass circle Mount to weight fixture into place.
- ▶ IP68 rated