



VOLT® Low Voltage Landscape Lighting Ground Hog Well Light- VWL-500-PBK

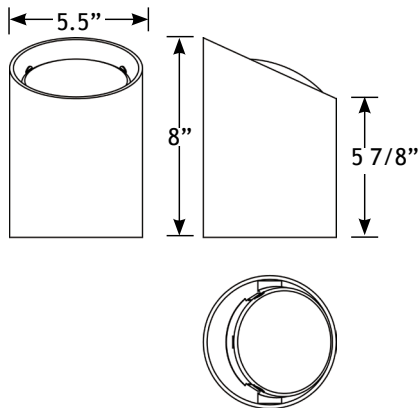
Product Description

The Ground Hog Well Light is great for an assortment of uplighting applications; such as building, signs, trees, etc. It can be a perfect substitution for a spotlight, where an in-ground fixture is desired. These well lights are low profile, keeping the fixture from view, while still resulting in highly effective lighting. The Ground Hog is truly the most affordable high intensity lighting fixture on the market. It uses a standard PAR36 lamp up to 50w (without a debris cover, 35w max with a debris cover). VOLT's Ground Hog will not disappoint!

NOTE: Open design well lights (and well lights in general) should not be installed in locations where they can become filled or covered by leaves, pine needles, or debris. They should be installed in regularly maintained areas to ensure they are free and clear of debris. Failure to do so can result in dangerous overheating, premature lamp or fixture failure, and even risk the possibility of a fire.



Product Dimensions



Features & Benefits

- ▶ Optional debris cover for bulb protection
- ▶ PVC tube reversible for flat or angled glare guard
- ▶ Stainless steel adjustable lamp holder and lens holder

Specifications

- ▶ Construction: Reversible PVC Tube
- ▶ Finish: Black
- ▶ Lead Wire: 16AWG
- ▶ Lens: Clear Tempered glass
- ▶ Light Source (not included): PAR36 (LED or Halogen)
- ▶ Operating Voltage: 12VAC
- ▶ Powered by: VOLT's Low Voltage Transformer

Warranty

Lifetime Warranty

Certifications

