

PRODUCT SPECIFICATIONS



Project Name _____ Date _____

Type or Model _____ Qty _____

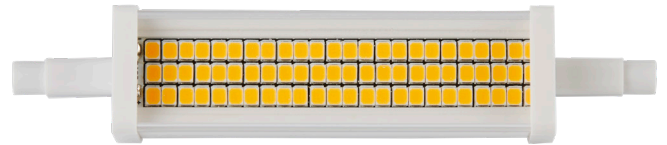
VOLT® LED Lamps R7S Bulb 2700K Series

Product Description

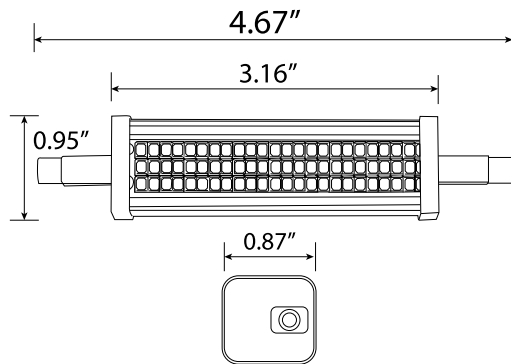
VOLT® LED bulbs are designed to match the form factor and illumination of the incandescent bulbs they replace. This R7S lamp is like a miniature T5 bulb that you would find in an overhead flat panel. It snaps into place utilizing the sockets spring mechanism and floats freely in place. This allows for directional adjustment which can help aim the light in some applications, or even dim the light depending upon the fixture.

These lamps are instant-on. All bulbs in this series have a color temperature of 2700K.

All VOLT® LED light bulbs are backed by our Lifetime Replacement Warranty (for residential applications); the warranty for commercial projects is 10 years.



Product Dimensions



Specifications

- ▶ **Input Voltage:** 11-18VAC, Will operate from 6-18VAC with decreased lumen output below 11V.
- ▶ **Lumen Output / Efficiency:**
 - 7W (75W equiv.) Models: 730 lm
- ▶ **Correlated Color Temperature (CCT):** 2700K
- ▶ **Color Rendering Index (CRI):** > 82
- ▶ **Life:** 40,000 hours (L70)

Features & Benefits

- ▶ Replacement for: 75W Halogen Bi-Pins
 - Single Directional beam angle
- ▶ Reduces energy consumption by about 75%
- ▶ Lasts up to 8 times longer than halogen lamps
- ▶ No warm-up time, instant-on with full light output and stable lamp to lamp color
- ▶ Suitable for use in enclosed fixtures

Warranty

Residential: Lifetime Warranty
Commercial: 10-Year Warranty

Specifications subject to change without notice.

© Copyright 2019, VOLT® Lighting, Lutz, FL USA 33549 • All rights reserved • 813.978.3700

www.voltlighting.com